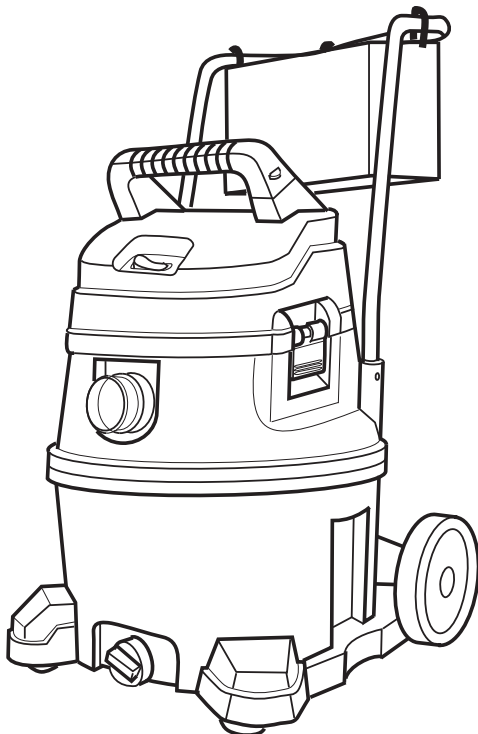


WORKSHOP[®] MD

WET/DRY VACS

OWNER'S MANUAL

- Professional Wet/Dry Vac
- 14 U.S. Gallon/
52 Liter
- WS1400CA0



FOR QUESTIONS OR INFORMATION CONTACT US AT:
1-888-455-8724 from the US and Canada
www.WORKSHOPvacs.com

⚠ WARNING:

To reduce the risk of injury, the user must read and understand the owner's manual before using this product.

- Español - página 17
- Français - page 33

SAVE THIS MANUAL FOR FUTURE REFERENCE

TABLE OF CONTENTS

Section	Page	Section	Page
Important Safety Instructions	2	Operation	11
Introduction	4	Choosing the Correct Filter	12
Unpacking & Checking Carton Contents	4	Emptying the Drum	13
Tools Required	4	Blowing Feature	13
Carton Contents List	4	Maintenance	13
Filter Replacement & Installation	6	Filter	13
Drum/Caddy Assembly	7	Cleaning and Disinfecting the Wet/Dry Vac	14
Installing Handle	8	Cord Maintenance	14
Removing Handle	8	Storage	14
Installing Accessory Bag	9	Casters & Wheels	14
Wet/Dry Vac Assembly	9	Frame & Handles	14
Accessory Storage & Assembly	10	Warranty	15
Cord Wrap	10	Repair Parts	49
Locking Sleeve	10	Servicing Double-Insulated Wet/Dry Vacs	49

IMPORTANT SAFETY INSTRUCTIONS

Safety is a combination of using common sense, staying alert, and knowing how your Wet/Dry vacuum cleaner ("Vac") works.

Safety Signal Words

▲ DANGER: Indicates a hazardous situation which, if not avoided, will result in death or serious injury.

▲ WARNING: Indicates a hazardous situation which, if not avoided, could result in death or serious injury.


▲ CAUTION: Indicates a hazardous situation which, if not avoided, could result in minor or moderate injury.

When using your Vac, always follow basic safety precautions including the following:

▲ WARNING

- To reduce the risk of fire, electric shock, or injury:

- Read and understand this manual and all labels on the Vac before operating.
- Use only as described in this manual.
- Do not leave Vac running while unattended - you may fail to notice important signs indicating abnormal operation such as loss of suction, debris/liquid exiting exhaust, or abnormal motor noises. Immediately stop using Vac if you notice these signs.
- Do not leave Vac when plugged in. Unplug from outlet when not in use and before servicing.
- Sparks inside the motor can ignite flammable vapors or dust. To reduce the risk of fire or explosion, do not use near combustible liquids, gases, or dusts, such as gasoline or other fuels, lighter fluid, cleaners, oil-based paints, natural gas, coal dust, magnesium dust, grain dust, aluminum dust, or gun powder.
- Do not vacuum anything that is burning or smoking, such as cigarettes, matches, or hot ashes.
- Do not vacuum drywall dust, cold fireplace ash, or other fine dusts with standard filter. These may pass through the filter and be exhausted back into the air. Use a fine dust filter instead.
- To reduce the risk of inhaling toxic vapors, do not vacuum or use near toxic or hazardous materials.
- To reduce the risk of electric shock, do not expose to rain or allow liquid to enter motor compartment. Store indoors.
- Do not allow to be used as a toy. Close attention is necessary when used by or near children.
- Do not use with a torn filter or without filter installed except when vacuuming liquids as described in this manual. Dry debris ingested by the impeller may damage the motor or be exhausted into the air.
- Turn off Vac before unplugging.

- To reduce the risk of injury from accidental starting, unplug power cord before changing or cleaning filter.
 - Do not unplug by pulling on cord. To unplug, grasp the plug, not the cord.
 - Do not use with damaged cord, plug or other parts. If your Vac is not working as it should, has missing parts, has been dropped, damaged, left outdoors, or dropped into water, call customer service.
 - Do not pull or carry by cord, use cord as handle, close a door on cord, or pull cord around sharp edges or corners. Do not run Vac over cord. Keep cord away from heated surfaces.
 - Do not handle plug, switch, or the Vac with wet hands.
 - Use only extension cords that are rated for outdoor use. Extension cords in poor condition or too small in wire size can pose fire and shock hazards. To reduce the risk of these hazards, be sure the cord is in good condition and that liquid does not contact the connection. Do not use an extension cord with conductors smaller than 16 gauge (AWG) in size. To reduce power loss, use a 14 gauge extension cord if 25 to 50 ft. long and 12 gauge for 50 ft. or longer.
 - This Vac is double-insulated, eliminating the need for a separate grounding system. Use only identical replacement parts. Read the instructions for Servicing Double-Insulated Wet/Dry Vacs.
 - Do not put any object into ventilation openings. Do not vacuum with any ventilation openings blocked; keep free of dust, lint, hair or anything that may reduce air flow.
 - Keep hair, loose clothing, fingers, and all parts of body away from openings and moving parts.
 - To reduce the risk of falls, use extra care when cleaning on stairs.
 - To reduce the risk of back injury or falls, do not lift a Vac that is heavy with liquid or debris. Partially empty by scooping debris or draining liquid.
 - To reduce the risk of personal injury or damage to Vac, use only WORKSHOP recommended accessories.
 - When using as a blower:
 - Direct air discharge only at work area.
 - Do not direct air at bystanders.
 - Keep children away when blowing.
 - Do not use blower for any job except blowing dirt and debris.
 - Do not use as a sprayer.
 - Wear safety eyewear.
 - To reduce the risk of eye injury, wear safety eyewear. The operation of any utility Vac or blower can result in foreign objects being blown into the eyes, which can result in severe eye damage.
 - To reduce the risk of being struck by, or pulled down by, a rolling Vac, block the casters when using on any uneven or sloped surface.
-
- ▲ CAUTION:**
- To reduce the risk of hearing damage, wear ear protectors when using for extended time or in a noisy area.
 - For dusty operations, wear dust mask.
 - Static shocks are common when the relative humidity of the air is low. Vacuuming fine debris with your Vac can deposit static charge on the hose or Vac. To reduce the frequency of static shocks in your home or when using this Vac, add moisture to the air with a humidifier.
-
- Observe the following warnings that appear on the motor housing of your Vac:
- 

**DOUBLE INSULATED
GROUNDING NOT REQUIRED.
WHEN SERVICING USE ONLY
IDENTICAL REPLACEMENT PARTS.**
- ▲ WARNING: For your own safety, read and understand owner's manual. Do not run unattended. Do not pick up hot ashes, coals, toxic, flammable or other hazardous materials. Do not use around explosive liquids or vapors.**
- ▲ WARNING: To reduce the risk of electric shock - do not expose to rain - store indoors.**

SAVE THIS MANUAL

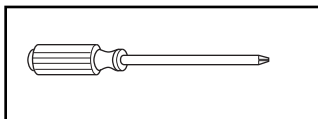
INTRODUCTION

This Professional Wet/Dry Vac is intended for household use. It may be used for vacuuming wet or dry debris and may be used as a blower.

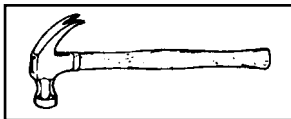
Read this owner's manual to familiarize yourself with the product features and to understand the specific usage of your new Vac.

UNPACKING & CHECKING CARTON CONTENTS

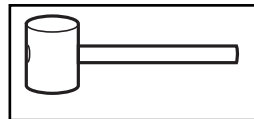
Tools Required



Phillips Screwdriver



Hammer



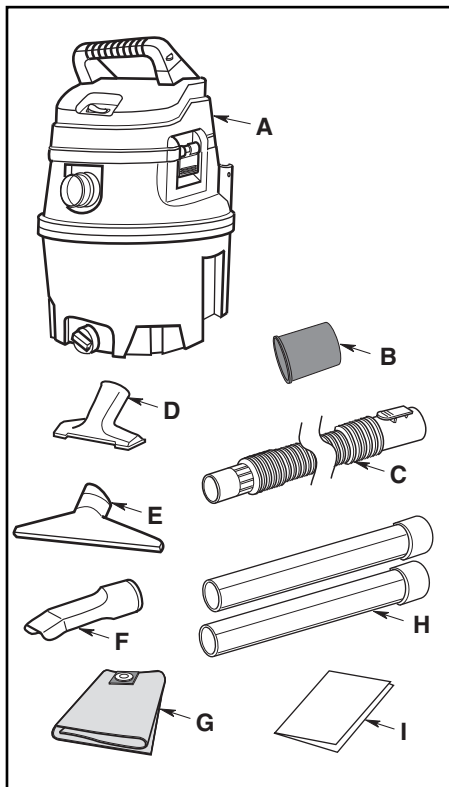
Mallet

Refer to the assembly sketch for positioning of parts.

Remove contents of carton. Check each item against the Carton Contents List. Call 1-888-455-8724 or E-mail us at info@WORKSHOPvacs.com if any parts are damaged or missing.

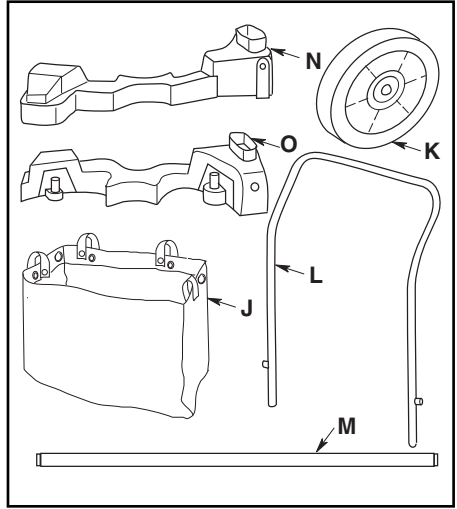
Carton Contents List

Key	Description	Qty
A	Wet/Dry Vac Assembly.....	1
B	Locking Sleeve.....	1
C	Dual-Flex™ Locking Hose.....	1
D	Utility Nozzle.....	1
E	Wet Nozzle.....	1
F	Car Nozzle.....	1
G	Dust Collection Bag.....	1
H	Extension Wands.....	2
I	Owner's Manual.....	1

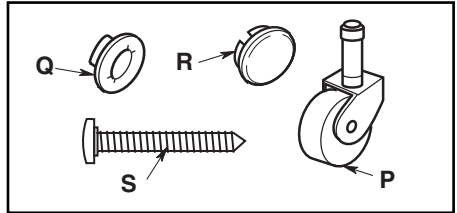


UNPACKING & CHECKING CARTON CONTENTS (continued)

Key	Description	Qty
Carton containing the following parts:		
J	Accessory Storage Bag	1
K	8" Wheel	2
L	Metal Handle	1
M	Axle	1
N	Caddy, Right.....	1
O	Caddy, Left.....	1



Key	Description	Qty
Bag of Loose Parts - Containing the following:		
P	2" Caster	2
Q	1/2" Cap Nut.....	2
R	Wheel Caps	2
S	Screw, Type AB #10 x 1-3/4.....	4



FILTER REMOVAL & INSTALLATION

Removal and Installation of the Qwik Lock™ Filter

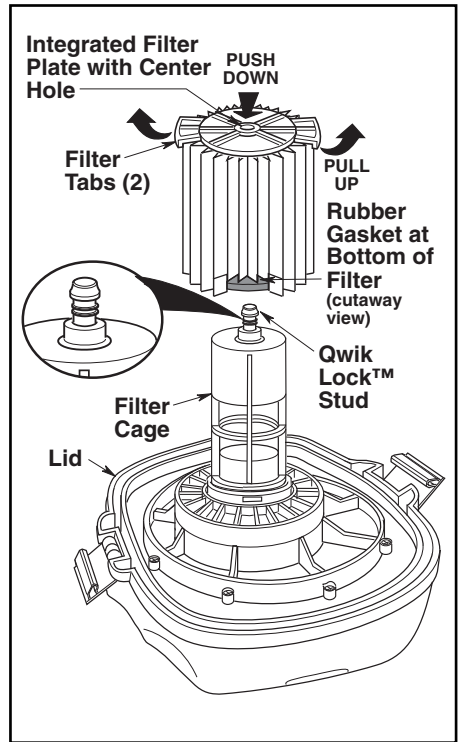
Filter Removal:

1. Hold the filter tabs of the Qwik Lock™ filter in each hand.
2. With one thumb on the Qwik Lock™ stud, which protrudes through the integrated filter plate, lift up on the filter tabs while pushing down on the stud.
3. This action will cause the filter to release from the filter cage. Slide filter off cage.

Filter Installation:

1. Carefully slide the Qwik Lock™ filter over the filter cage and press down on the outside edge of the filter until the rubber gasket on the bottom of the filter seats securely around the base of the filter cage and against the lid.
2. Align the small center hole in the top of the filter over the Qwik Lock™ stud on the filter cage. Press firmly on top of the filter near the stud to allow the filter to snap over the ball on the end of the stud. The filter is now attached.

NOTE: Failure to properly seat the bottom gasket could result in debris bypassing the filter.

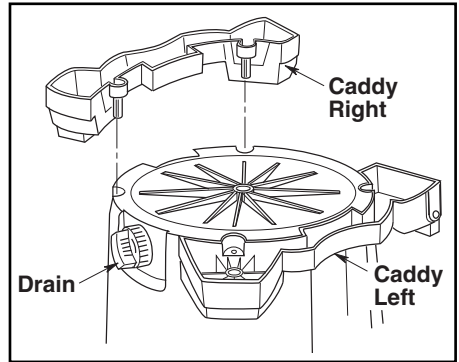


⚠ WARNING: Do not operate without filter cage and float, as they prevent liquid from entering the impeller and damaging the motor.

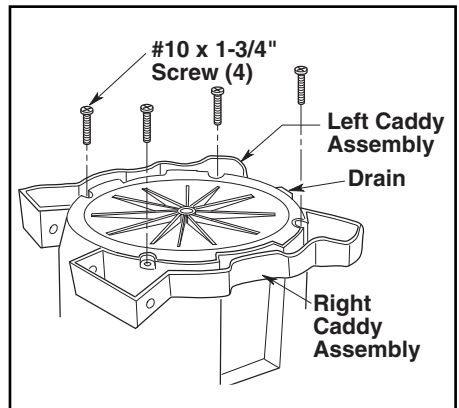
DRUM/CADDY ASSEMBLY

Do not assemble until you have all the parts.

1. Insert caddy left and caddy right into the bottom of drum as shown. Light taps with a mallet or hammer may be needed to fully seat both caddies.

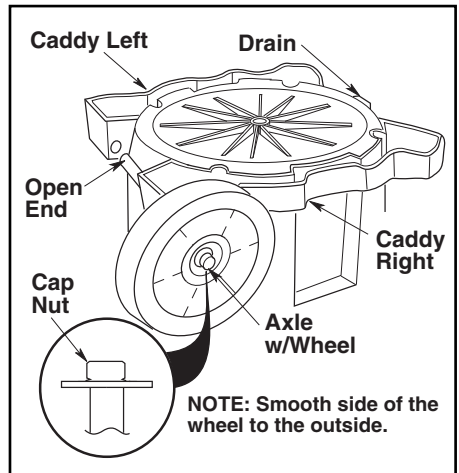


2. Install (4) #10 x 1-3/4" screws into matching holes on both right and left side of caddy, securing them to the bottom of the drum. Tighten screws until just snug. Do not over tighten as this may tend to deform the caddies.



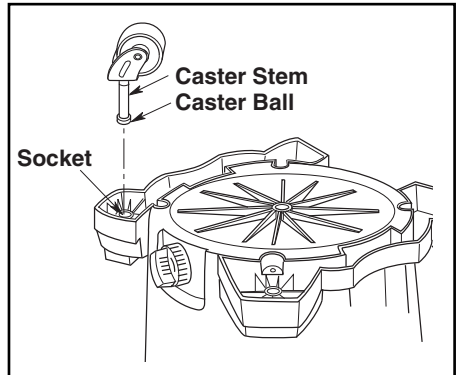
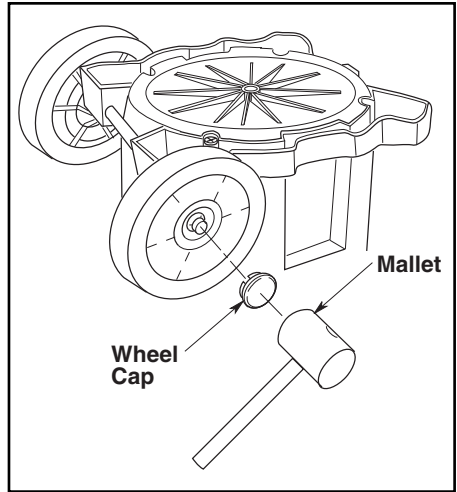
3. Installing Cap Nut:

- a. Place cap nut on end of axle.
- b. Tap gently with hammer until fully seated.
- c. Place wheel on the axle with smooth portion of wheel facing outward.



DRUM/CADDY ASSEMBLY (continued)

- Slide open end of axle through caddy left making sure the leg slot lines up with the cradle hole. Slide all the way through the caddy right. Light taps with a mallet may be required to fully insert axle.
- Install second wheel onto axle with smooth portion of wheel facing outward.
- Install the second cap nut. Tap gently until cap nut is firmly seated
- Using a rubber mallet or hammer, gently tap the wheel cap onto the right wheel until the wheel cap is firmly seated onto the wheel. This is required on both left and right sides.
- Insert the caster stem into the socket of the caster foot as shown. (Front caster only).
- With a slight twisting motion, push on the caster until the ball on the caster stem is inserted all the way into the socket. You will be able to hear the ball snap into the socket and the caster will swivel easily when positioning is correct.



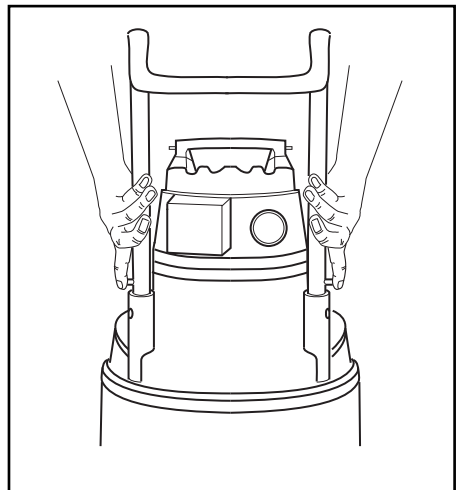
Installing Handle

Press and hold release buttons while installing handle into handle receptacles in drum (See illustration).

NOTE: An audible snap of release buttons indicates successful engagement of handle.

Removing Handle

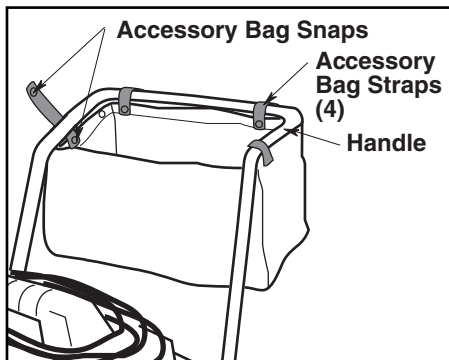
Press and hold release buttons as shown. While firmly pushing in release buttons, pull handle upwards to remove (see illustration).



DRUM/CADDY ASSEMBLY (continued)

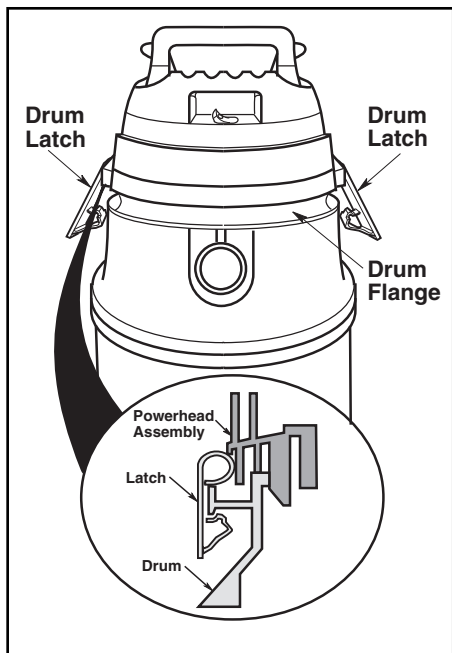
Installing Accessory Bag

Install accessory bag as shown with extension wand holders facing unit.



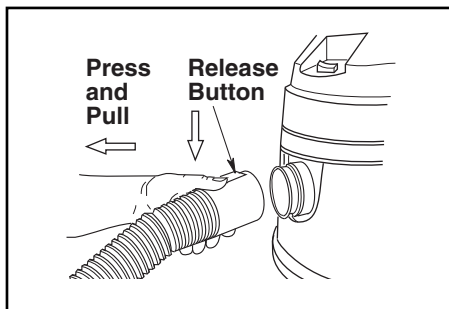
WET/DRY VAC ASSEMBLY

1. Position the powerhead assembly on the drum/caddy assembly as shown (assembled earlier).
2. Rotate both latches down and press until you hear them snap over the flanges on the drum.



Insert Hose

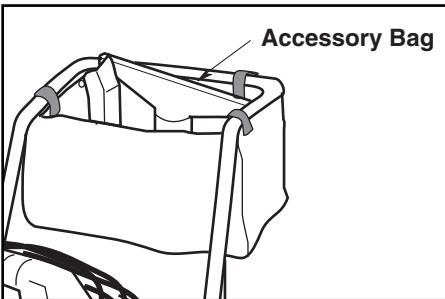
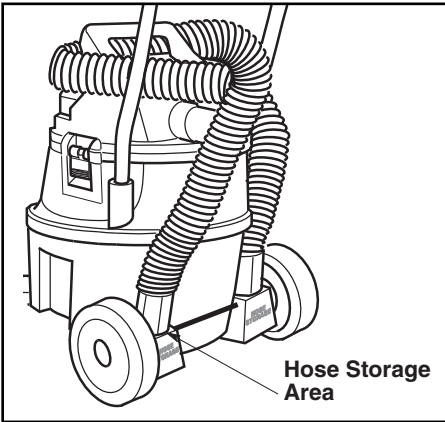
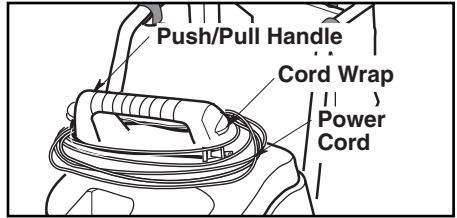
Insert the push button end of the Dual-Flex™ Locking hose into the inlet of the Vac. The hose should snap into place. To remove the hose from the Vac, press the release button in the hose assembly and pull the hose out of the Vac inlet, as shown.



ACCESSORY STORAGE & ASSEMBLY

Your accessories may be stored in the removable accessory bag, or in the two locations on the caddy right/left. Either the hose or the wands may be stored in the two areas marked Hose Storage.

The hose may be stored by wrapping it around the unit and plugging the open end into one of the storage locations on the caddy assembly. Alternatively, the wands may also be stored in this location by plugging either of the ends of the wands onto the storage receivers located on the caddy.



Cord Wrap

When vacuuming is complete, unplug the cord and wrap it around the power assembly as shown. The cord should wrap under the pull handle (above the inlet) and around and under the cord wrap of the motor cover.

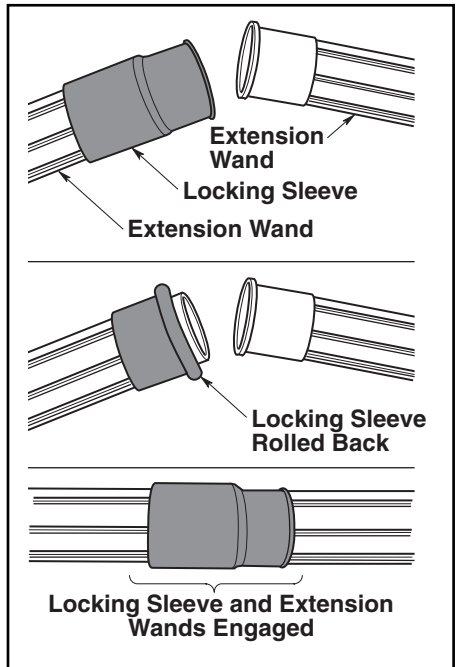
Locking Sleeve

The Locking Sleeve is designed to provide added strength in accessory connections.

The Locking Sleeve can be used when connecting:

- Extension wand to extension wand (shown)
- Hose to extension wand
- Extension wand to nozzle

To install the Locking Sleeve: slip Locking Sleeve over accessory end, roll sleeve back to expose accessory end, attach accessory and unroll sleeve over attached accessory.



OPERATION

▲ WARNING: To reduce the risk of fire, explosion, or damage to Vac:

- Do not leave Vac running while unattended - you may fail to notice important signs indicating abnormal operation such as loss of suction, debris/liquid exiting the exhaust, or abnormal motor noises. Immediately stop using Vac if you notice these signs.
- Do not leave Vac plugged in when not in use.
- Do not continue running when float has cut off suction.
- Sparks inside the motor can ignite airborne flammables. Do not operate Vac near flammable liquids or in areas with flammable gases, vapors, or explosive/airborne dust. Flammable liquids, gases, and vapors include: lighter fluid, solvent-type cleaners, oil-based paints, gasoline, alcohol, and aerosol sprays. Explosive dusts include: coal, magnesium, aluminum, grain, and gun powder.
- Do not vacuum up explosive dusts, flammable liquids, or hot ashes.

▲ WARNING: To reduce the risk of electric shock or injury:

- Do not expose to rain or allow liquid to enter motor compartment. Store indoors.
- Do not handle plug, switch, or Vac with wet hands.
- Unplug Vac before servicing. If your Vac is not working as it should, has missing parts, has been dropped, damaged, left outdoors, or dropped into water, return it to an independent service center or call customer service.
- When using an extension cord, use only outdoor-rated cords that are in good condition. Do not allow the connection to come into contact with liquid.

To reduce the risk of electric shock, this Vac has a polarized plug (one blade is wider than the other). This plug will fit in a polarized outlet only one way. If the plug does not fit fully in the outlet, reverse the plug. If it still does not fit, contact a qualified electrician to install the proper outlet. Do not change the plug in any way.

After you plug the power cord into the

outlet, turn the unit on by pushing the switch from position "O" to position "I". The symbols used on the switch actuator are international "On & Off" symbols.

 = OFF | = ON

OPERATION (continued)

Choosing the Correct Filter

▲ WARNING: To reduce the risk of damage to the Vacuum, do not run motor with float in raised position. A cartridge filter should be used and positioned correctly during all vacuuming operations to avoid debris leaks and possible damage to the vacuum motor.

There are a variety of Filters available for WORKSHOP® Wet/Dry Vacuums.

The Filters you choose should depend upon the task you are performing. Not all available Filters are included with each model, but they may be purchased from retailers carrying WORKSHOP Wet/Dry Vacuums or from www.WORKSHOPvac.com.

The available Filters include:

1. Pleated Paper Cartridge Filters

- a. The available Pleated Paper Cartridge Filters include catalog numbers WS21200F (Everyday Dirt), WS22200F (Fine Dust), and WS23200F (HEPA Media).
- b. Each of these Pleated Paper Cartridge Filters are intended for cleaning up dry debris, however, a small amount of liquid can be picked up without damaging the Filter. When maintained properly, small amounts of liquid will not cause damage to the Filter. When picking up larger amounts of liquid, the Pleated Paper Cartridge Filter will become saturated, misting may appear in the vacuum's exhaust, and the Filter may be damaged. After using the Vac to pick up small amounts of liquid, the Pleated Paper Cartridge Filter must be dried to avoid mildew and damage.
- c. If you are using your vacuum to pick up very fine dust, it will be necessary for you to empty the drum and clean

the Filter at more frequent intervals to maintain peak vacuum performance.

- d. See "Filter Removal and Installation" section for directions on how to change the Pleated Paper Cartridge Filter.

2. Wet Application Cartridge Filter

- a. The available Wet Application Cartridge Filter is catalog number WS24200F.
- b. The Wet Application Cartridge Filter is intended for cleaning up liquids and wet debris only. It is NOT to be used for any dry debris.
- c. To maintain Filter performance, rinse thoroughly with water after each use.
- d. See "Filter Removal and Installation" section for directions on how to change the Wet Application Cartridge Filter.

3. Dust Collection Bags

- a. The available Dust Collection Bag is catalog number WS32200F.
 - b. The Dust Collection Bag is intended for cleaning up dry debris ONLY.
 - c. If the debris being picked up has any moisture, the bag will absorb the moisture and may deteriorate very quickly, making the bag non-functional.
 - d. If you are using your vacuum to pick up fine dust, the Dust Collection Bag will make cleanup easier.
- Note:** Dust Collection Bag MUST be used in conjunction with a Pleated Paper Cartridge Filter.
- e. Directions for Installation and Removal of Dust Collection Bags are printed on the bags.

OPERATION (continued)

Emptying the Drum

▲ WARNING: To reduce the risk of back injury or falls, do not lift a Vac heavy with liquid or debris. Scoop or drain enough contents out to make the Vac light enough to lift comfortably.

1. The Vac comes equipped with a drain for easy emptying of liquids. Simply unscrew the drain cap and lift the opposite side slightly to empty the drum.
2. Another option is to remove the powerhead assembly.
3. Lay powerhead assembly aside on a clean area while emptying drum.
4. Dump the drum contents into the proper waste disposal container.

Blowing Feature

Your Vac features a blowing port. It can blow sawdust and other debris. Follow the steps below to use your Vac as a blower.

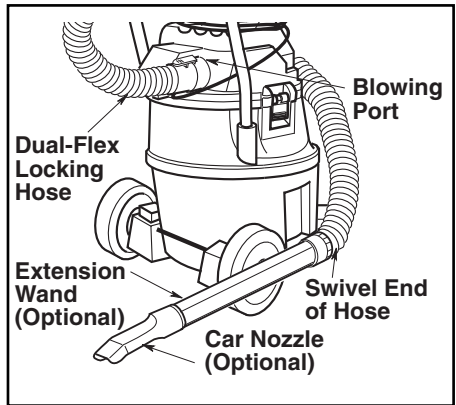
▲ WARNING: Always wear safety eyewear complying with ANSI Z87.1 (or in Canada, CSA Z94.3) before using as a Blower.

▲ WARNING: To reduce the risk of injury to bystanders, keep them clear of blowing debris.

▲ CAUTION: Wear a dust mask if blowing creates dust which might be inhaled.

▲ CAUTION: To reduce the risk of hearing damage, wear ear protectors when using the Vac/Blower for extended hours or when using in a noisy area.

1. Locate blowing port of your Vac.
2. Insert the locking end of the Dual-Flex™ Locking hose into the blowing port of the Vac. The hose should snap into place. To remove the hose from the Vac, press the release button in the hose assembly and pull the hose out of the Vac inlet.
3. (Optional) Attach extension wand to opposite end of hose, then place the car nozzle on the wand.
4. Turn Vac on and you are ready to use your Vac as a blower.



MAINTENANCE

Filter

▲ WARNING: To reduce the risk of injury from accidental starting, unplug power cord before changing or cleaning filter.

NOTE: The filter is made of high quality paper designed to stop very small particles of dust. The filter can be used for dry debris or small amounts of liquid. Handle the filter carefully when removing to clean or installing it. Creases in the filter pleats may occur from installation but not affect the performance of the filter.

MAINTENANCE (continued)

▲ WARNING: Do not operate without filter cage and float, as they prevent liquid from entering the impeller and damaging the motor.

Cleaning a Dry Filter

NOTE: For best cleaning results due to accumulated dust, clean the filter in an open area. Cleaning SHOULD be done outdoors and not in the living quarters.

1. Light cleaning of some dry debris from the filter can be accomplished without removing the filter from the Vac. Simply slap your hand on top of the handle while the Vac is turned off.
2. Remove filter from Vac. Gently tap the filter against the inside wall of your dust drum and the debris will loosen and fall.
3. For thorough cleaning of a dry filter with fine dust (no debris) you may run water through it as described under "Cleaning A Wet Filter" Section.

Cleaning a Wet Filter

After filter is removed, run water through the filter from a hose or spigot. Take care that water pressure from the hose is not strong enough to damage filter. Allow filter to dry out before storing.

Cleaning and Disinfecting the Wet/Dry Vac

To keep your Wet/Dry Vac looking its best, clean the outside with a cloth dampened with warm water and mild soap.

To clean the drum:

1. Dump debris out.
2. Wash drum thoroughly with warm water and mild soap.
3. Wipe out with dry cloth.

Before prolonged storage or as needed (i.e.; waste water pick up) the drum should be disinfected.

To disinfect the drum:

1. Pour 1 gallon of water and 1 teaspoon chlorine bleach into the drum.
2. Let solution stand for 20 minutes, carefully swishing every few minutes, making sure to wet all inside surfaces of the drum.
3. Empty drum after 20 minutes. Rinse with water until bleach smell is gone. Allow drum to dry completely before sealing the motor on the drum.

Cord Maintenance

When vacuuming is complete, unplug the cord and wrap it around the motor cover. If the power cord is damaged, it must be replaced by the manufacturer to reduce the risk of accident.

Storage

Before storing your Vac, the drum should be emptied and cleaned. The cord should be wrapped around the unit and the hose should be stored as described in this manual. Accessories should be kept in the same area as the Vac so they can be readily available. The Vac should be stored indoors.

Casters and Wheels

Should your cart squeak or become hard to roll, you should place two or three drops of general purpose oil on each wheel at the axle. If your casters are noisy, you may put a drop of oil on the roller shaft to make them quieter.

Frame and Handles

Your metal handle is painted to prevent rust, however, liquids and corrosive debris should be wiped off with a soft cloth should they come in contact with the handle.

▲ WARNING: To assure product SAFETY and RELIABILITY, repairs and adjustments should be performed by Authorized Service Centers, always using WORKSHOP replacement parts.

WORKSHOP® LIMITED WARRANTY

This limited warranty is offered by Emerson Tool Company, a division of Emerson Electric Co., located at the address below (“**ETC**” or “**we**” or “**our**” or “**us**”) and applies to our WORKSHOP-branded Wet/Dry Vacuums (collectively, the “**WORKSHOP® Product**”).

If you have any questions or need assistance regarding the warranty of your WORKSHOP Product, please contact ETC’s WORKSHOP Product Customer Service Department at the toll free number or at the address provided below.

WORKSHOP® Limited Warranty

ETC, located at 8100 W Florissant Ave, St. Louis, MO 63136 provides the following limited warranty to the original purchaser only (“**you**” or “**your**”) subject to the exclusions described below: Your WORKSHOP Product will be free from defects in material and workmanship when used under normal conditions in accordance with the terms of the Owner’s Manual provided to you with the WORKSHOP Product for a period of five (5) years beginning on the original date of purchase (the “**Warranty Period**”). This limited warranty terminates if the original purchaser transfers the WORKSHOP Product to any other person or entity.

What is Not Covered - Warranty Exclusions

This limited warranty does not extend to and expressly excludes:

- Normal wear and tear and/or replacement attachments or accessories, including, without limitation, power cords, hoses, filters, and other attachments or accessories that may be offered for sale by us for use with the WORKSHOP Product.
- Damage or burnout of the WORKSHOP Product motor resulting from failure to clear a blockage occurring during the normal course of use.
- Loss or damage to the WORKSHOP Product resulting from conditions beyond ETC’s control including without limitation, misuse, accident, abuse, neglect, negligence (other than ETC’s), overuse beyond intended capacity as set forth in the Owner’s Manual, or modifications or alterations made by anyone other than ETC.
- Loss or damage to the WORKSHOP Product resulting from failure to use the WORKSHOP Product in accordance with the written instructions, guidelines, and terms and conditions set forth in the Owner’s Manual.

Limited Warranty Notification and Claim Procedures

If you discover within the Warranty Period applicable to you that your WORKSHOP Product has a defect that you believe is covered by this limited warranty, you must contact ETC’s WORKSHOP Product Customer Service Department at (888) 455-8724 between the hours of 8:30 a.m. and 4:30 p.m. Central Time. Alternatively, you may contact ETC’s WORKSHOP Product Customer Service Department at the email address listed in your Owner’s Manual or on the WORKSHOP Product page of the ETC website.

In order for your warranty claim to be processed as quickly as possible, we suggest that you complete the “Registration Card” made available to you on the WORKSHOP Product page of the ETC website at www.WORKSHOPvac.com. If you do not choose to register your WORKSHOP Product, in order to make a warranty claim, you will need to provide us with a copy of your sales receipt or other proof of purchase showing the purchase date to confirm that your claim is within the Warranty Period and that you are the original purchaser.

WORKSHOP® LIMITED WARRANTY

What We Will Do to Correct Problems

After you have contacted ETC's WORKSHOP Product Customer Service Department pursuant to the above procedures, ETC will initiate warranty proceedings, including a physical inspection, subject to the exclusions and the Warranty Period stated herein, to determine whether to repair or replace the WORKSHOP Product or provide you with a refund.

The decision to repair or replace your WORKSHOP Product or to provide a refund is at our sole discretion. Repair or replacements provided to you by ETC are at no cost to you if covered under this limited warranty. Coverage under this limited warranty is conditioned at all times upon the original purchaser's compliance with the above limited warranty notification and claim procedures. If your claim is covered under this limited warranty, we will, at our sole option, (a) repair or replace the defective portion of your WORKSHOP Product or (b) replace your entire WORKSHOP Product. If we are unable to provide you with a suitable repaired or replacement WORKSHOP Product, we will provide you with a refund equal to the purchase price of your WORKSHOP Product or a credit to be used toward the purchase of a new WORKSHOP Product.

No Other Express Warranty Applies

THE LIMITED WARRANTIES PROVIDED ABOVE ARE THE SOLE AND EXCLUSIVE WARRANTIES PROVIDED BY ETC TO THE ORIGINAL PURCHASER OF THE WORKSHOP PRODUCT, AND ARE IN LIEU OF ALL OTHER WARRANTIES, WRITTEN OR ORAL, EXPRESS OR IMPLIED, WHETHER ARISING BY OPERATION OF LAW OR OTHERWISE, INCLUDING, WITHOUT LIMITATION, WARRANTIES OF MERCHANTABILITY OR FITNESS FOR A PARTICULAR PURPOSE, WHETHER OR NOT THE PURPOSE HAS BEEN DISCLOSED AND WHETHER OR NOT THE WORKSHOP PRODUCT HAS BEEN SPECIFICALLY DESIGNED OR MANUFACTURED FOR YOUR USE OR PURPOSE. DISCLAIMERS OF IMPLIED WARRANTIES, INCLUDING WITHOUT LIMITATION, IMPLIED WARRANTIES OF MERCHANTABILITY AND FITNESS FOR A PARTICULAR PURPOSE, SHALL NOT TAKE EFFECT UNTIL THE END OF THE WARRANTY PERIOD. No employee, agent, dealer, or other person is authorized to alter this limited warranty or make any other warranty on behalf of ETC. The terms of this limited warranty shall not be modified by ETC, the original owner, or their respective successors or assigns.

Limitation of Liability

TO THE EXTENT PERMITTED BY LAW, IN NO EVENT SHALL ETC BE LIABLE FOR ANY INCIDENTAL, SPECIAL, INDIRECT, OR CONSEQUENTIAL DAMAGES, INCLUDING ANY ECONOMIC LOSS, WHETHER RESULTING FROM NONPERFORMANCE, USE, MISUSE OR INABILITY TO USE THE WORKSHOP PRODUCT OR FOR THE NEGLIGENCE OF ETC. ETC SHALL NOT BE LIABLE FOR DAMAGES CAUSED BY DELAY IN PERFORMANCE AND IN NO EVENT, REGARDLESS OF THE FORM OF THE CLAIM OR CAUSE OF ACTION (WHETHER BASED IN CONTRACT, INFRINGEMENT, NEGLIGENCE, STRICT LIABILITY, OTHER TORT OR OTHERWISE), SHALL ETC'S LIABILITY TO YOU OR ANY INDIVIDUAL USING THE WORKSHOP PRODUCT EXCEED THE PRICE PAID BY THE ORIGINAL OWNER FOR THE WORKSHOP PRODUCT. The term "consequential damages" shall include, but not be limited to, loss of anticipated profits, business interruption, loss of use or revenue, cost of capital or loss or damage to property or equipment.

Some states do not allow the exclusion or limitation of incidental or consequential damages, so the above limitation may not apply to you.

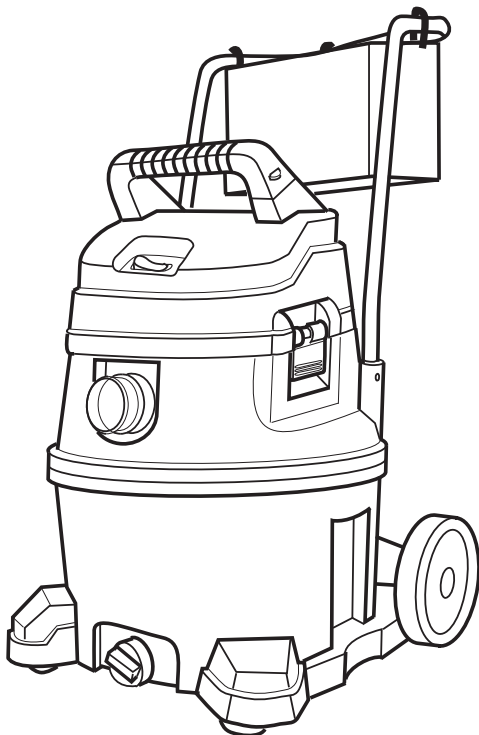
This limited warranty gives you specific legal rights, and you may also have other rights which vary from State to State.

WORKSHOP[®] MD

WET/DRY VACS

- Aspiradora para mojado/seco profesional
- 14 galones EE.UU. /52 litros
- WS1400CA0

MANUAL DEL USUARIO



¿PREGUNTAS O COMENTARIOS? COMUNÍQUESE CON NOSOTROS EN:

1-888-455-8724 desde los EE.UU. y Canadá

www.WORKSHOPvacs.com

⚠ ADVERTENCIA:

Para reducir el riesgo de lesiones, el usuario debe leer y entender el manual del usuario antes de utilizar este producto.

- Français - page 33

GUARDE ESTE MANUAL PARA REFERENCIA FUTURA

Sección	Página	Sección	Página
Instrucciones de seguridad importantes	18	Selección del filtro correcto	28
Introducción	20	Vaciado del tambor	29
Desempaquetado y comprobación		Dispositivo de soplado	29
del contenido de la caja de cartón	20	Mantenimiento	29
Herramientas necesarias	20	Filtro	29
Lista del contenido de la caja de cartón	20	Limpieza y desinfección de la aspiradora	
Remoción e instalación del filtro	22	para mojado/seco	30
Ensamblaje del tambor/base de soporte	23	Mantenimiento del cordón	30
Instalación del asa	24	Almacenamiento	30
Remoción del asa	24	Ruedecillas y ruedas	30
Instalación de la bolsa de accesorios	25	Armazón y mangos	30
Ensamblaje de la aspiradora para mojado/seco	25	Garantía	31
Almacenamiento y ensamblaje de accesorios	26	Piezas de repuesto	49
Enrollado del cordón	26	Servicio de ajustes y reparaciones de	
Manguito de fijación	26	una aspiradora para mojado/seco	
Funcionamiento	27	con aislamiento doble	49

INSTRUCCIONES DE SEGURIDAD IMPORTANTES

La seguridad es una combinación de sentido común, permanecer alerta y saber cómo funciona la aspiradora para mojado/seco ("la aspiradora").

Palabras de señal de seguridad

▲ PELIGRO: indica una situación peligrosa que, si no se evita, causará la muerte o lesiones graves.

▲ ADVERTENCIA: indica una situación peligrosa que, si no se evita, podría causar la muerte o lesiones graves.

▲ PRECAUCIÓN: indica una situación peligrosa que, si no se evita, pudiera causar lesiones leves o moderadas

Cuando utilice la aspiradora, siga siempre las precauciones básicas de seguridad, incluyendo las siguientes:

▲ ADVERTENCIA

– Para reducir el riesgo de incendio, sacudidas eléctricas o lesiones:

- Lea y entienda este manual del usuario y todas las etiquetas que están colocadas en la aspiradora para mojado/seco antes de utilizarla.
- Utilice la aspiradora únicamente de la manera que se describe en este manual.
- No deje la aspiradora en marcha mientras esté desatendida. Usted podría no notar señales importantes que indiquen un funcionamiento anormal, tal como pérdida de succión, residuos o líquido que salen por el escape o ruidos anormales del motor. Deje de usar la aspiradora inmediatamente si observa estas señales.
- No abandone la aspiradora cuando esté enchufada. Desenchúfela del tomacorriente cuando no la esté utilizando y antes de realizar servicio de revisión.

- Las chispas que se producen en el interior del motor pueden incendiar los vapores inflamables o el polvo. Para reducir el riesgo de incendio o explosión: No use la aspiradora cerca de líquidos, gases, o polvos combustibles como gasolina u otros combustibles, líquido encendedor, limpiadores, pinturas a base de aceite, gas natural, hidrógeno, polvo de carbón, polvo de magnesio, polvo de aluminio, polvo de granos de cereal o pólvora.
- No recoja con la aspiradora nada que esté ardiendo o humeando, como cigarrillos, fósforos o cenizas calientes.
- No recoja con la aspiradora polvo de panel de yeso ni hollín frío o ceniza fría de chimenea con un filtro estándar. Estos materiales pueden pasar por el filtro y ser expulsados de vuelta al aire. Utilice un filtro para polvo fino en lugar de un filtro estándar.
- Para reducir el riesgo de inhalar vapores tóxicos, no recoja con la aspiradora materiales tóxicos o peligrosos ni la use cerca de dichos materiales.
- Para reducir el riesgo de descargas eléctricas, no exponga la aspiradora a la lluvia ni deje que entren líquidos en el compartimiento del motor. Guarde la aspiradora en un lugar interior.
- No permita que la aspiradora se utilice como un juguete. Se necesita prestar máxima atención cuando sea utilizada por niños o cerca de éstos.
- No use la aspiradora con un filtro desgarrado o sin tener el filtro instalado, excepto cuando recoja con ella líquidos de la manera que se describe en este manual. Los residuos secos absorbidos por el impulsor podrían dañar el motor o ser expulsados de vuelta al aire.
- Apague la aspiradora antes de desenchufarla.
- Para reducir el riesgo de lesiones debidas a un arranque accidental, desenchufe el cordón de energía antes de cambiar o limpiar el filtro.
- No desenchufe la aspiradora tirando del cordón.

Para desenchufarla, agarre el enchufe y no el cordón.

- No use la aspiradora con el cordón dañado, el enchufe dañado u otras piezas dañadas. Si la aspiradora no funciona como debe, le faltan piezas, se ha caído, ha sido dañada, se ha dejado a la intemperie o se ha caído al agua, llame a servicio al cliente.
- No tire de la aspiradora usando el cordón ni la lleve por el cordón, ni use el cordón como asa, ni cierre una puerta sobre el cordón, ni tire del cordón alrededor de bordes o esquinas afilados. No pase la aspiradora en marcha sobre el cordón. Mantenga el cordón alejado de las superficies calientes.
- No maneje el enchufe, el interruptor o la aspiradora con las manos mojadas.
- Utilice únicamente cordones de extensión que tengan capacidad nominal para uso a la intemperie. Los cordones de extensión que estén en malas condiciones o tengan un tamaño de alambre demasiado pequeño pueden crear peligros de incendio y descargas eléctricas. Para reducir el riesgo de estos peligros, asegúrese de que el cordón esté en buenas condiciones y que el líquido no entre en contacto con la conexión. No utilice un cordón de extensión que tenga conductores con un diámetro menor al calibre 16 (AWG). Para reducir la pérdida de potencia, utilice un cordón de extensión de calibre 14 si la longitud es de 25 a 50 pies, y de calibre 12 si la longitud es de 50 pies o más.
- Esta aspiradora tiene aislamiento doble, lo cual elimina la necesidad de un sistema independiente de conexión a tierra. Utilice únicamente piezas de repuesto idénticas. Lea las instrucciones de servicio de revisión de las aspiradoras para mojado/seco con aislamiento doble.
- No ponga ningún objeto en las aberturas de ventilación. No recoja nada con la aspiradora cuando cualquiera de las aberturas de ventilación esté bloqueada; mantenga dichas aberturas libres de polvo, pelusa, pelo o cualquier cosa que pueda reducir el flujo de aire.
- Mantenga el pelo, la ropa holgada, los dedos y todas las partes del cuerpo alejados de las aberturas y de las piezas móviles.
- Para reducir el riesgo de caídas, tenga cuidado adicional al limpiar en escaleras.
- Para reducir el riesgo de lesiones de espalda o caídas, no levante una aspiradora que pese mucho debido a que contiene líquido o residuos. Vacíe parcialmente la aspiradora sacando los residuos o drenando el líquido para hacer que sea cómodo levantarla.
- Para reducir el riesgo de lesiones corporales o daños a la aspiradora, utilice únicamente accesorios recomendados por WORKSHOP.
- Cuando utilice la aspiradora como soplador :
 - Dirija la descarga de aire solamente hacia el área de trabajo.

- No dirija el aire hacia las personas que estén presentes.
- Mantenga alejados a los niños durante la operación de soplado.
- No utilice el soplador para trabajos que no sean soplar suciedad y residuos.
- No use la aspiradora como rociador.
- Use protección ocular de seguridad.
- Para reducir el riesgo de lesiones en los ojos, use protección ocular de seguridad. La utilización de cualquier aspiradora utilitaria o soplador utilitario puede hacer que se soplen objetos extraños hacia los ojos, lo cual puede causar daños graves en los ojos.
- Para reducir el riesgo de que una aspiradora rodante le golpee o tire de usted, bloquee las ruedecillas cuando utilice la unidad en cualquier superficie desigual o en pendiente.

▲ PRECAUCIÓN:

- Para reducir el riesgo de daños a la audición, use protectores de oídos cuando utilice la aspiradora durante muchas horas seguidas o cuando la emplee en un área ruidosa.
- Para operaciones que generan polvo, use una máscara antipolvo.
- Las descargas de estática son comunes cuando la humedad relativa del aire es baja. Si recoge residuos finos con la aspiradora, se puede depositar carga estática en la manguera o en la aspiradora. El mejor remedio para reducir la frecuencia de las descargas de estática en su casa o cuando use esta aspiradora es añadir humedad al aire con un humidificador.

Siga las siguientes advertencias que aparecen en la caja del motor de la aspiradora.



ASLAMIENTO DOBLE. NO SE REQUIERE CONEXION A TIERRA.

CUANDO HAGA SERVICIO DE REVISIÓN DE LA ASPIRADORA, UTILICE ÚNICAMENTE PIEZAS DE REPUESTO IDÉNTICAS.

▲ ADVERTENCIA: Para su propia seguridad, lea y entienda el manual del operador. No tenga en marcha la aspiradora desatendida. No recoja cenizas calientes, carbón caliente, materiales tóxicos ni inflamables ni otros materiales peligrosos. No use la aspiradora alrededor de líquidos o vapores explosivos.

▲ ADVERTENCIA: Para reducir el riesgo de sacudidas eléctricas, no exponga la aspiradora a la lluvia y almacénela en interiores.

GUARDE ESTE MANUAL

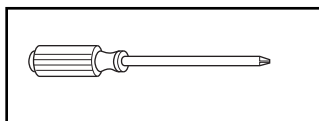
INTRODUCCIÓN

Esta aspiradora para mojado/seco profesional está diseñada para uso doméstico solamente. Se puede utilizar para la recogida ligera de medios mojados o secos y también puede utilizarse como soplador.

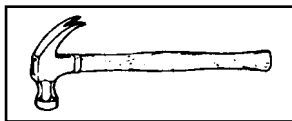
Familiarícese con las siguientes características del producto y lea todo el manual del usuario para obtener instrucciones sobre la utilización específica de su nueva aspiradora para mojado/seco.

DESEMPAQUETADO Y COMPROBACIÓN DEL CONTENIDO DE LA CAJA DE CARTÓN

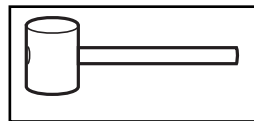
Herramientas necesarias



Destornillador Phillips largo



Martillo



Mazo

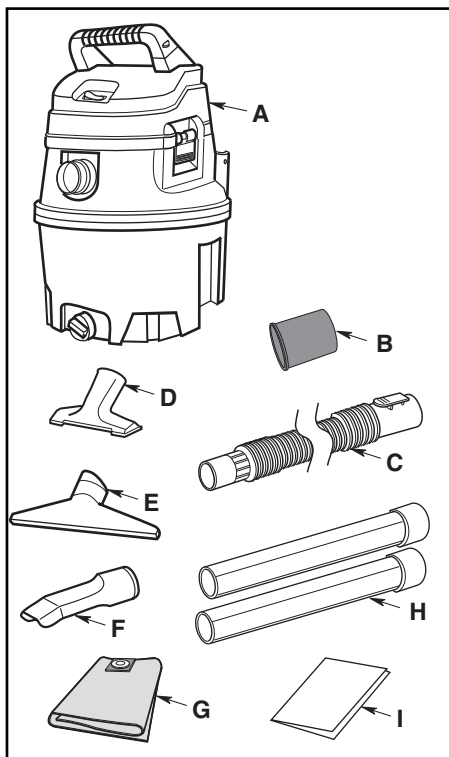
Consulte el dibujo de ensamblaje para averiguar el posicionamiento de las piezas.

Saque todo el contenido de la caja de cartón. Asegúrese de que no falte ningún artículo utilizando la lista del contenido de la caja.

Llame al 1-888-455-8724 o envíenos un correo electrónico a info@WORKSHOPvac.com si alguna pieza está dañada o falta.

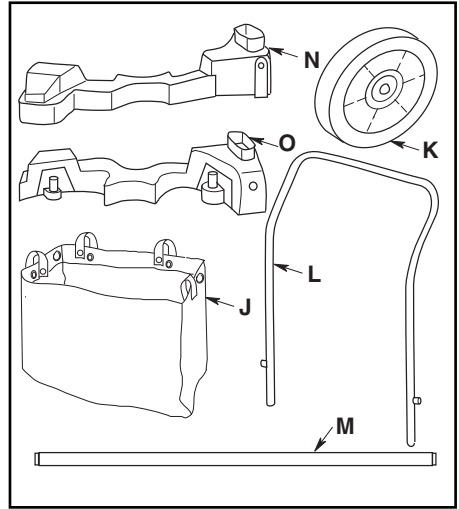
Lista del contenido de la caja de cartón

Clave	Descripción	Cant.
A	Ensamblaje de la aspiradora para mojado/seco	1
B	Manguito de fijación	1
C	Manguera de fijación Dual-Flex™	1
D	Boquilla de uso general	1
E	Boquilla para mojado	1
F	Boquilla para auto	1
G	Bolsa de recolección de polvo	1
H	Tubos de extensión	2
I	Manual del usuario	1

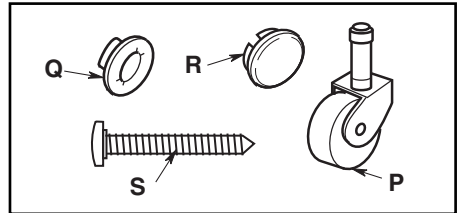


DESEMPAQUETADO Y COMPROBACIÓN DEL CONTENIDO DE LA CAJA DE CARTÓN (continuación)

Clave	Descripción	Cant.
Caja de cartón que contiene las piezas siguientes:		
J	Bolsa de almacenamiento de accesorios.....	1
K	Rueda de 8 pulgadas.....	2
L	Asa metálica.....	1
M	Eje.....	1
N	Base de soporte derecha.....	1
O	Base de soporte izquierda.....	1



Clave	Descripción	Cant.
Bolsa de piezas sueltas que contiene lo siguiente:		
P	Ruedecilla de 2 pulgadas.....	2
Q	Tuerca de tapa de 1/2 pulgada.....	2
R	Tapas de rueda.....	2
S	Tornillo de tipo AB No. 10 x 3/4.....	4



REMOCIÓN E INSTALACIÓN DEL FILTRO

Remoción e instalación del filtro Qwik Lock™

Remoción del filtro:

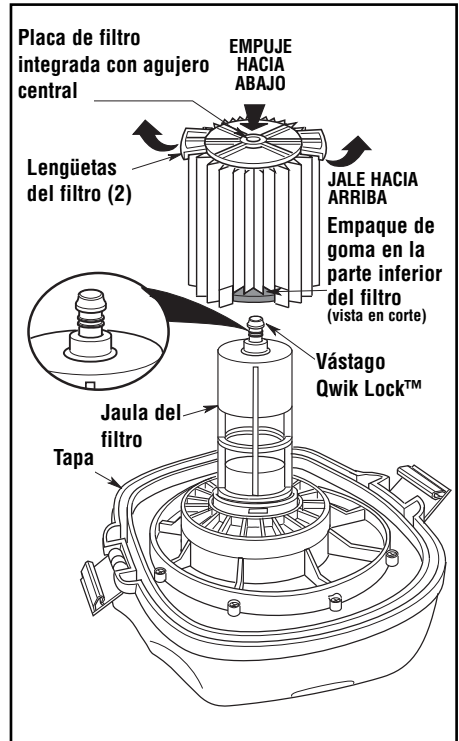
1. Sostenga las lengüetas del filtro Qwik Lock™ en cada mano.
2. Con un dedo pulgar en el vástago Qwik Lock™, que sobresale a través de la placa del filtro integrada, levante las lengüetas del filtro a la vez que empuja hacia abajo sobre el vástago.
3. Esta acción hará que el filtro se suelte de la jaula del filtro. Deslice el filtro hasta retirarlo de la jaula.

Instalación del filtro:

1. Deslice cuidadosamente el filtro Qwik Lock™ sobre la jaula del filtro y presione hacia abajo sobre el borde exterior del filtro hasta que el empaque de goma ubicado en la parte inferior del filtro se asiente firmemente alrededor de la base de la jaula del filtro y contra la tapa.
2. Alinee el agujero central pequeño ubicado en la parte superior del filtro sobre el vástago Qwik Lock™ ubicado en la jaula del filtro. Presione firmemente sobre la parte de arriba del filtro cerca del vástago, para permitir que el filtro se acople a presión sobre la bola ubicada en el extremo del vástago. Una vez hecho esto, el filtro estará instalado.

NOTA: Si no se asienta apropiadamente el empaque inferior, el resultado podría ser que los residuos rodeen el filtro.

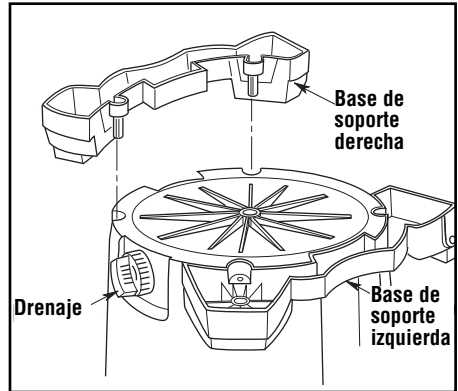
⚠ ADVERTENCIA: No utilice la aspiradora sin la jaula del filtro y el flotador, ya que estas piezas evitan que entre líquido en el impulsor y dañe el motor.



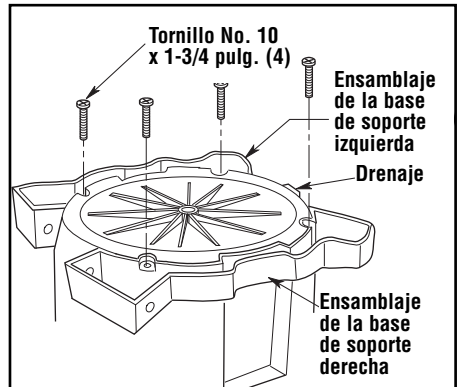
ENSAMBLAJE DEL TAMBOR/BASE DE SOPORTE

No monte la aspiradora hasta que tenga todas las piezas.

1. Introduzca la base de soporte izquierda y la base de soporte derecha en la parte inferior del tambor, de la manera que se muestra en la ilustración. Es posible que se necesiten unos golpes ligeros con un mazo o un martillo para asentar completamente ambas bases de soporte.

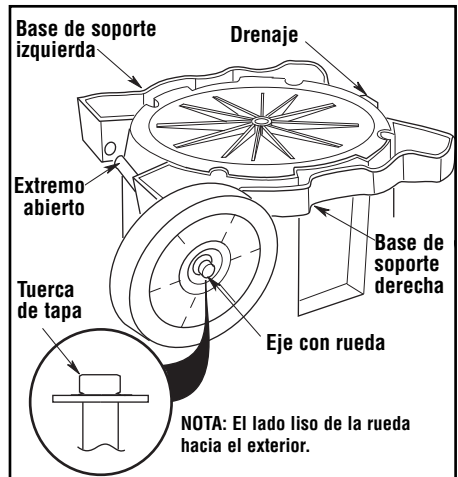


2. Instale (4) tornillos No. 10 x 1-3/4 pulgadas en los agujeros correspondientes ubicados tanto en el lado derecho como en el lado izquierdo de la base de soporte, sujetándolos firmemente a la parte inferior del tambor. Apriete los tornillos sólo hasta que queden perfectamente ajustados. No los apriete demasiado, ya que esto podría tender a deformar las bases de soporte.



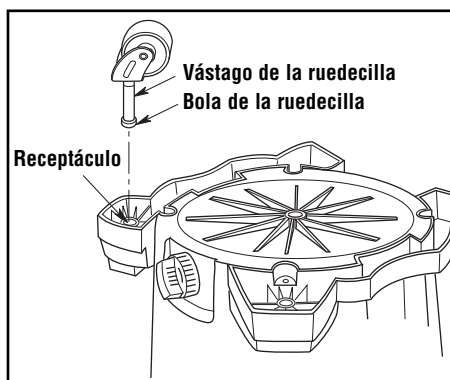
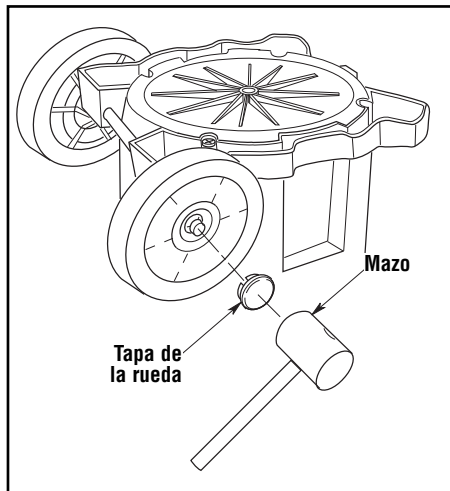
3. Instalación de la tuerca de tapa

- Coloque la tuerca de tapa en el extremo del eje.
- Golpee ligeramente la tuerca de tapa con el martillo hasta que esté completamente asentada.
- Coloque la rueda en el eje con la parte lisa de la rueda orientada hacia afuera.



ENSAMBLAJE DEL TAMBOR/BASE DE SOPORTE (cont.)

- Deslice el extremo abierto del eje a través de la base de soporte izquierda, asegurándose de que la ranura de la pata se alinee con el agujero de la cuna. Deslice dicho extremo completamente a través de la base de soporte derecha. Es posible que se requieran golpes ligeros con un mazo para introducir completamente el eje.
- Instale la segunda rueda en el eje con la parte lisa de la rueda orientada hacia afuera.
- Instale la segunda tuerca de tapa. Golpee ligeramente la tuerca de tapa hasta que esté firmemente asentada.
- Utilizando un mazo de goma o un martillo, golpee suavemente la tapa de la rueda sobre la rueda derecha hasta que dicha tapa de la rueda esté firmemente asentada en la rueda. Se requiere hacer esto tanto en los lados izquierdo como derecho.
- Introduzca el vástago de la ruedecilla en el receptáculo del pie de ruedecilla, de la manera que se muestra en la ilustración (ruedecilla delantera solamente).
- Con un ligero movimiento de giro, empuje sobre la ruedecilla hasta que la bola del vástago de la ruedecilla esté insertada completamente en el receptáculo. Usted podrá oír como la bola se acopla a presión en el receptáculo y la ruedecilla girará fácilmente cuando el posicionamiento sea correcto.



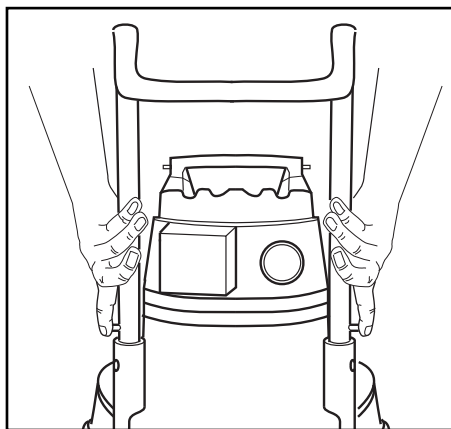
Instalación del asa

Oprima y mantenga oprimidos los botones de liberación mientras instala el asa en los receptáculos para el asa ubicados en el tambor (vea la ilustración).

NOTA: Un chasquido audible de los botones de liberación indica un acoplamiento exitoso del asa.

Remoción del asa

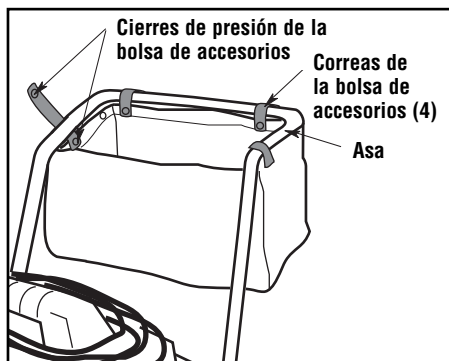
Oprima y mantenga oprimidos los botones de liberación, de la manera que se muestra en la ilustración. Mientras oprime firmemente los botones de liberación, tire del asa hacia arriba hasta quitarla (vea la ilustración).



ENSAMBLAJE DEL TAMBOR/BASE DE SOPORTE (cont.)

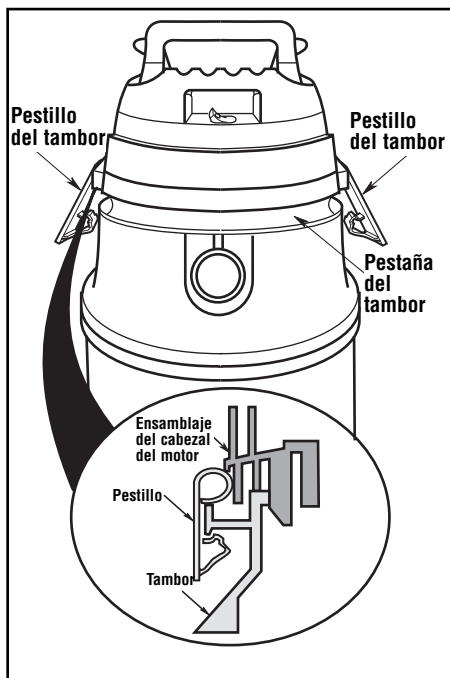
Instalación de la bolsa de accesorios

Instale la bolsa de accesorios de la manera que se muestra en la ilustración, con los portatubos extensores orientados hacia la unidad.



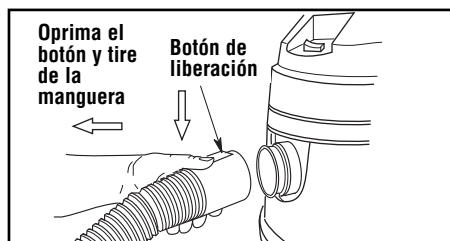
ENSAMBLAJE DE LA ASPIRADORA PARA MOJADO/SECO

1. Posicione el ensamblaje del cabezal del motor sobre el ensamblaje del tambor/base de soporte, de la manera que se muestra en la ilustración (ensamblado antes).
2. Gire ambos pestillos hacia abajo y presione hasta que los oiga acoplarse a presión sobre las pestañas del tambor.



Introduzca la manguera

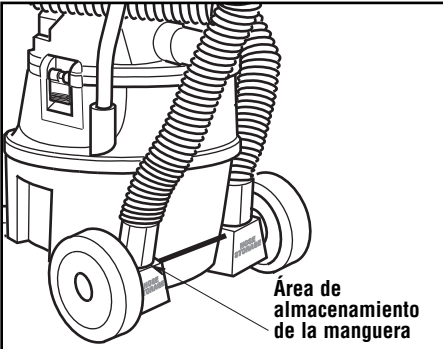
Introduzca el extremo con botón pulsador de la manguera de fijación Dual-Flex™ en la entrada de la aspiradora. La manguera debe acoplarse a presión en su sitio. Para quitar la manguera de la aspiradora, oprima el botón de liberación que está en el ensamblaje de la manguera y tire de la manguera hasta sacarla de la entrada de la aspiradora, de la manera que se muestra en la ilustración.



ALMACENAMIENTO Y ENSAMBLAJE DE ACCESORIOS

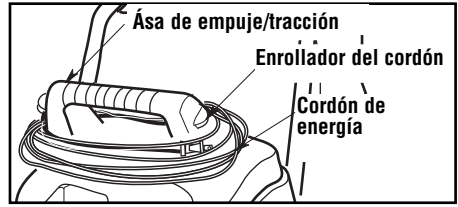
Los accesorios se pueden almacenar en la bolsa de accesorios desmontable o en las dos ubicaciones que están en la base de soporte de almacenamiento a la derecha y a la izquierda. Ya sea la manguera o los tubos extensores se pueden almacenar en las dos áreas marcadas con las palabras Hose Storage (Área de almacenamiento de la manguera).

La manguera se puede almacenar enrollándola alrededor de la unidad e introduciendo el extremo libre en una de las ubicaciones de almacenamiento que están en el ensamblaje de las bases de soporte. Alternativamente, los tubos extensores también se pueden almacenar en esta ubicación insertando cualquiera de los extremos de dichos tubos en los receptores de almacenamiento ubicados en la base de soporte de almacenamiento.



Enrollado del cordón

Cuando se haya completado la limpieza con la aspiradora, desenchufe el cordón de energía y enróllelo alrededor del ensamblaje del cabezal del motor, de la manera que se muestra en la ilustración. El cordón se debe enrollar debajo del asa de tracción (por encima de la entrada) y alrededor y debajo del enrollador del cordón ubicado en la cubierta del motor.



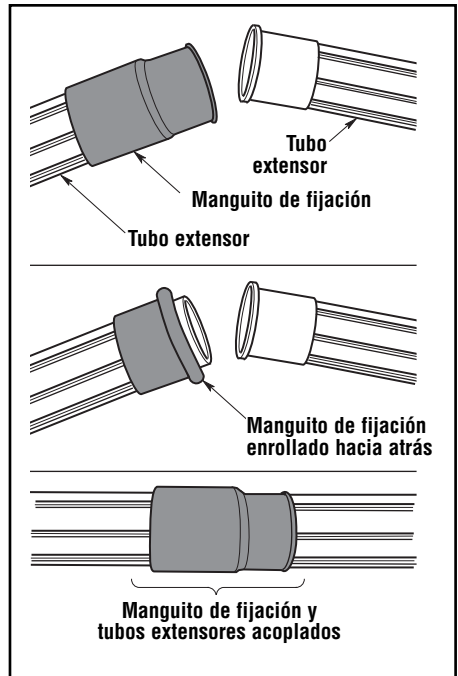
Manguito de fijación

El manguito de fijación está diseñado para brindar fuerza adicional en las conexiones de los accesorios.

El manguito de fijación se puede utilizar al conectar lo siguiente:

- Tubo de extensión a tubo de extensión (mostrado)
- Manguera a tubo de extensión
- Tubo de extensión a boquilla

Para instalar el manguito de fijación: Deslice el manguito de fijación sobre el extremo del accesorio, enrolle dicho manguito de fijación hacia atrás para dejar al descubierto el extremo del accesorio, instale el accesorio y desenrolle el manguito sobre el accesorio instalado.



FUNCIONAMIENTO

⚠ ADVERTENCIA: Para reducir el riesgo de incendio, explosión o daños a la aspiradora:

- No deje la aspiradora en marcha mientras esté desatendida. Usted podría no notar señales importantes que indiquen un funcionamiento anormal, tal como pérdida de succión, residuos o líquido que salen por el escape o ruidos anormales del motor. Deje de usar la aspiradora inmediatamente si observa estas señales.
- No deje la aspiradora enchufada cuando no se esté utilizando.
- No continúe usando la aspiradora cuando el flotador haya cortado la succión.
- Las chispas generadas dentro del motor pueden incendiar los materiales inflamables suspendidos en el aire. No utilice la aspiradora cerca de líquidos inflamables ni en áreas con gases o vapores inflamables o polvo explosivo/suspendido en el aire. Los líquidos inflamables, gases inflamables y los vapores inflamables incluyen: líquido encendedor, limpiadores tipo solvente, pinturas a base de aceite, gasolina, alcohol y rociadores tipo aerosol. Los polvos explosivos incluyen: carbón, magnesio, aluminio, grano de cereal y pólvora.
- No recoja con la aspiradora polvos explosivos, líquidos inflamables ni cenizas calientes.

⚠ ADVERTENCIA: Para reducir el riesgo de descargas eléctricas o lesiones:

- No exponga la aspiradora a la lluvia ni deje que entre líquido en el compartimiento del motor. Almacene la aspiradora en un lugar interior.
- No maneje el enchufe, el interruptor o la aspiradora con las manos mojadas.
- Desenchufe la aspiradora antes de hacerle servicio de ajustes y reparaciones. Si la aspiradora no está funcionando como debería, le faltan piezas, se ha caído, está dañada, se ha dejado a la intemperie o se ha caído al agua, devuélvala a un centro de servicio independiente o llame a servicio al cliente.
- Cuando utilice un cordón de extensión, utilice únicamente cordones con capacidad nominal para uso a la intemperie que estén en buenas condiciones. No deje que la conexión entre en contacto con líquido.

Para reducir el riesgo de sacudidas eléctricas, este aparato electrodoméstico tiene un enchufe polarizado. Este enchufe entrará en un tomacorriente polarizado solamente de una manera. Si el enchufe no entra por completo en el tomacorriente, déle la vuelta. Si sigue sin entrar, póngase en contacto con un electricista competente para instalar el tomacorriente adecuado. No haga ningún tipo de cambio en el enchufe.

Después de enchufar el cordón de energía en el tomacorriente, encienda la unidad empujando el interruptor de la posición "O" a la posición "I". Los símbolos utilizados en el accionador del interruptor son los símbolos internacionales de "encendido y apagado". "O" es el símbolo de "APAGADO" y "I" es el símbolo de "ENCENDIDO".

 = APAGADO | = ENCENDIDO

FUNCIONAMIENTO (continuación)

Selección del filtro correcto

⚠ ADVERTENCIA: Para reducir el riesgo de daños a la aspiradora, no haga funcionar el motor con el flotador en la posición subida. Debe haber presente un filtro de cartucho y éste se debe encontrar en la posición correcta durante todas las operaciones de aspiración, para evitar las fugas de residuos y posibles daños al motor de la aspiradora.

Hay una variedad de filtros disponibles para las aspiradoras para seco/mojado WORKSHOP®. Los filtros que usted escoja deben depender de la tarea que esté realizando. No todos los filtros disponibles se incluyen con cada modelo, pero es posible comprarlos según sea necesario a través de los establecimientos minoristas que vendan aspiradoras para seco/mojado WORKSHOP o a través de www.WORKSHOPvac.com.

Los filtros disponibles incluyen:

1. Filtros de cartucho de papel plisado

- a. Los filtros de cartucho de papel plisado disponibles incluyen los números de catálogo WS21200F (suciedad diaria), WS22200F (polvo fino) y WS23200F (medios HEPA).
- b. Cada uno de estos filtros de cartucho de papel plisado está diseñado para recoger residuos secos; sin embargo, se puede recoger una pequeña cantidad de líquido sin dañar el filtro. Cuando el filtro se mantenga apropiadamente, las cantidades pequeñas de líquido no le causarán daños. Cuando recoja cantidades más grandes de líquido, el filtro de cartucho de papel plisado se saturará, es posible que aparezca niebla en el escape de la aspiradora y puede que el filtro resulte dañado. Después de utilizar la aspiradora para recoger pequeñas cantidades de líquido, se debe secar el filtro de cartucho de papel plisado para evitar que se forme moho y que se produzcan daños.
- c. Si está utilizando la aspiradora para recoger polvo muy fino, será necesario que vacíe el tambor y limpie el filtro a intervalos más frecuentes para mantener el máximo rendimiento de la aspiradora.

d. Consulte la sección “Remoción e instalación del filtro” para obtener instrucciones sobre cómo cambiar el filtro de cartucho de papel plisado.

2. Filtro de cartucho para aplicaciones mojadas

- a. El filtro de cartucho para aplicaciones mojadas disponible tiene el número de catálogo WS24200F.
- b. Este filtro de cartucho para aplicaciones mojadas está diseñado para recoger líquidos y residuos mojados solamente. NO está diseñado para utilizarse en la recogida de residuos secos.
- c. Para mantener el rendimiento del filtro, enjuáguelo a fondo con agua después de cada uso.
- d. Consulte la sección “Remoción e instalación del filtro” para obtener instrucciones sobre cómo cambiar el filtro de cartucho para aplicaciones mojadas.

3. Bolsas de recolección de polvo

- a. La bolsa de recolección de polvo disponible tiene el número de catálogo WS32200F.
- b. La bolsa de recolección de polvo está diseñada para recoger residuos secos SOLAMENTE.
- c. Si los residuos que se estén recogiendo tienen algo de humedad, la bolsa absorberá dicha humedad y se podrá deteriorar muy rápidamente, lo cual hará que dicha bolsa quede en estado no funcional.
- d. Si está utilizando la aspiradora para recoger polvo fino, la bolsa de recolección de polvo hará más fácil la limpieza.

Nota: Las bolsas de recolección de polvo se DEBEN usar en combinación con un filtro de cartucho de papel plisado.

- e. Las instrucciones para la instalación y remoción de las bolsas de recolección de polvo están impresas en las bolsas.

FUNCIONAMIENTO (continuación)

Vaciado del tambor

⚠ ADVERTENCIA: Para reducir el riesgo de que se produzcan lesiones en la espalda o caídas, no levante la aspiradora si pesa demasiado debido a que contiene líquido o residuos. Saque o haga salir una cantidad suficiente del contenido para hacer que la aspiradora sea suficientemente liviana como para poder levantarla cómodamente.

1. La aspiradora viene equipada con un drenaje para vaciarla fácilmente de líquidos. Simplemente desenrosque la tapa del drenaje y levante ligeramente el lado opuesto para vaciar el tambor.
2. Otra opción es quitar el ensamblaje del cabezal del motor.
3. Ponga a un lado el ensamblaje del cabezal del motor en un área limpia mientras vacía el tambor.
4. Vierta el contenido del tambor en el recipiente de eliminación de residuos apropiado.

Dispositivo de soplado

La aspiradora cuenta con un orificio de soplado. Puede soplar aserrín y otros residuos. Siga los pasos que se indican a continuación para usar la aspiradora como soplador.

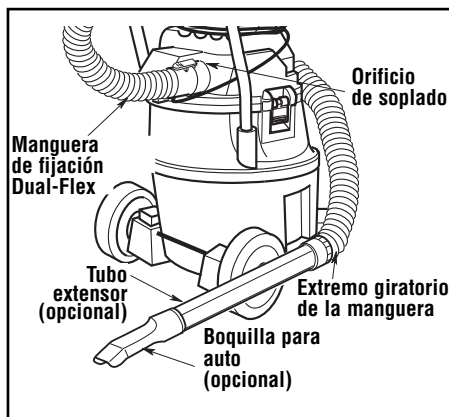
⚠ ADVERTENCIA: Use siempre protectores oculares de seguridad que cumplan con la norma ANSI Z87.1 (o en Canadá, con la norma CSA Z94.3) antes de utilizar la aspiradora como soplador.

⚠ ADVERTENCIA: Para reducir el riesgo de lesiones a las personas que estén presentes, manténgalas alejadas de los residuos soplados.

⚠ ADVERTENCIA: Use una máscara antipolvo si el soplado genera polvo que podría ser inhalado.

⚠ PRECAUCIÓN: Para reducir el riesgo de daños a la audición, use protectores de oídos cuando utilice la aspiradora/soplador durante muchas horas seguidas o cuando la utilice en un área ruidosa.

1. Localice el orificio de soplado de la aspiradora para mojado/seco.
2. Inserte el extremo de fijación de la manguera de fijación Dual-Flex™ en el orificio de soplado de la aspiradora. La manguera se debería acoplar a presión en su sitio. Para retirar la manguera de la aspiradora, presione el botón de liberación ubicado en el ensamblaje de la manguera y jale la manguera hacia fuera hasta sacarla de la entrada de la aspiradora.
3. (Opcional) Coloque el tubo extensor en el extremo giratorio de la manguera y luego coloque una boquilla para auto en el tubo extensor.
4. Encienda la aspiradora y estará listo para usarla como soplador.



MANTENIMIENTO

Filtro

⚠ ADVERTENCIA: Para reducir el riesgo de lesiones debidas a un arranque accidental, desenchufe el cordón de energía antes de cambiar o limpiar el filtro.

NOTA: Este filtro está hecho de papel de alta calidad diseñado para detener partículas de polvo muy pequeñas. El filtro se puede utilizar para recoger material mojado o seco. Maneje el filtro cuidadosamente cuando lo quite para limpiarlo o cuando lo instale. Es posible que se formen arrugas en los pliegues del filtro como resultado de la instalación, pero las arrugas no afectarán el rendimiento del filtro.

MANTENIMIENTO (continuación)

⚠ ADVERTENCIA: No utilice la aspiradora sin la jaula del filtro y el flotador, ya que estas piezas evitan que entre líquido en el impulsor y dañe el motor.

Limpieza de un filtro seco

NOTA: Para lograr una limpieza óptima con el fin de eliminar el polvo acumulado en el filtro, limpie el filtro en un área abierta. La limpieza del filtro DEBE realizarse al aire libre y no en el interior de una vivienda.

1. La limpieza ligera para quitar una pequeña cantidad de residuos secos se puede realizar sin quitar el filtro de la aspiradora. Simplemente dé una palmada con la mano en la parte superior de la tapa mientras la aspiradora está apagada.
2. Quite el filtro de la aspiradora. Golpee suavemente el filtro contra la pared interior del tambor para polvo. Los residuos se soltarán y caerán.
3. Para limpiar minuciosamente el filtro seco con polvo fino (sin residuos), puede hacer pasar agua a través del filtro tal como se describe bajo "Limpieza de un filtro mojado".

Limpieza de un filtro mojado

Después de quitar el filtro, haga pasar agua a través de él usando una manguera o desde una espita. Tenga cuidado de que la presión del agua procedente de la manguera no sea tan fuerte como para dañar el filtro. Deje que el filtro se seque antes de volver a instalarlo y de guardar la aspiradora.

Limpieza y desinfección de la aspiradora para mojado/seco

Para mantener el mejor aspecto posible de la aspiradora para mojado/seco, limpie su exterior con un paño humedecido con agua templada y un jabón suave.

Para limpiar el tambor:

1. Vacíe de residuos el tambor.
2. Lave a fondo el tambor con agua templada y un jabón suave.
3. Limpie el tambor con un paño seco.

Antes de un almacenamiento prolongado o según sea necesario (por ejemplo, si se recogen aguas residuales), se debe desinfectar el tambor.

Para desinfectar el tambor:

1. Eche 1 galón de agua y 1 cucharadita de blanqueador de cloro en el tambor.
2. Deje que la solución repose durante 20 minutos y agítela cuidadosamente cada pocos minutos, asegurándose de mojar todas las superficies interiores del tambor.
3. Vacíe el tambor después de 20 minutos. Enjuague con agua hasta que el olor a blanqueador desaparezca. Deje que el tambor se seque completamente antes de sellar el motor sobre el tambor.

Mantenimiento del cordón

Cuando se haya completado la limpieza con la aspiradora, desenchufe el cordón y enróllelo alrededor de la cubierta del motor. Si el cable de alimentación está dañado, debe ser reemplazado por el fabricante para reducir el riesgo de accidente.

Almacenamiento

Antes de almacenar la aspiradora, se debe vaciar y limpiar el tambor. El cordón se debe enrollar alrededor de la unidad y la manguera se debe almacenar de la manera descrita en este manual. Los accesorios se deben mantener en la misma área que la aspiradora para que estén al alcance de la mano cuando se necesiten. La aspiradora se debe almacenar en interiores.

Ruedecillas y ruedas

Si el carro rechina o es difícil de hacer rodar, debe poner dos o tres gotas de aceite de uso general en el eje de cada rueda. Si las ruedecillas hacen ruido, puede poner una gota de aceite en el eje del rodillo para que hagan menos ruido.

Armazón y mangos

El mango metálico está pintado para impedir la formación de herrumbre. Sin embargo, los líquidos y los residuos corrosivos deben limpiarse con un paño suave si entran en contacto con el mango.

⚠ ADVERTENCIA: Para garantizar la **SEGURIDAD** y **CONFIABILIDAD** del producto, las reparaciones y los ajustes deben realizarlos **Centros de Servicio autorizados, usando siempre piezas de repuesto WORKSHOP.**

GARANTÍA LIMITADA DE WORKSHOP®

Esta garantía limitada es ofrecida por Emerson Tool Company, una división de Emerson Electric Co., radicada en la dirección que se indica más abajo (“ETC” o “nosotros” o “nuestro” o “nuestra”) y se aplica a nuestras aspiradoras para mojado/seco de la marca WORKSHOP (colectivamente, el “Producto WORKSHOP®”).

Si tiene preguntas o necesita asistencia en relación con la garantía de su Producto WORKSHOP, sírvase contactar al Departamento de Servicio al Cliente de Productos WORKSHOP de ETC llamando al número gratuito o escribiendo a la dirección provista más abajo.

Garantía limitada de WORKSHOP®

ETC, radicada en 8100 W Florissant Ave, St. Louis, MO 63136, ofrece la siguiente garantía limitada al comprador original solamente (“usted” o “su”), sujeta a las exclusiones que se describen a continuación: Su Producto WORKSHOP estará libre de defectos de material y de fabricación cuando se utilice en circunstancias normales de acuerdo con los términos establecidos en el Manual del Usuario que se le entregue a usted con el Producto WORKSHOP, durante un período de cinco (5) años a partir de la fecha de compra original (el “Período de Garantía”). Esta garantía limitada se termina si el comprador original transfiere el Producto WORKSHOP a cualquier otra persona o entidad.

Qué no está cubierto: Exclusiones de la garantía

Esta garantía limitada no se extiende a lo siguiente y lo excluye expresamente:

- El desgaste por el uso normal y/o los aditamentos o accesorios de repuesto, incluyendo, sin limitación, cables de alimentación, mangueras, filtros y otros aditamentos o accesorios que pongamos a la venta para utilizarlos con el Producto WORKSHOP.
- Daños al motor del Producto WORKSHOP o quemadura de dicho motor que resulten del hecho de no despejar una obstrucción que ocurra durante el transcurso normal del uso.
- Pérdida del Producto WORKSHOP o daños al mismo que resulten de situaciones que estén más allá del control de ETC, incluyendo, sin limitación, uso incorrecto, accidente, abuso, descuido, negligencia (que no sea de ETC), sobreutilización más allá de la capacidad prevista según se establezca en el Manual del Usuario o modificaciones o alteraciones realizadas por alguien ajeno a ETC.
- Pérdida del Producto WORKSHOP o daños al mismo que resulten del hecho de no usar el Producto WORKSHOP de acuerdo con las instrucciones escritas, las directrices y los términos y condiciones que se establecen en el Manual del Usuario.

Notificación de garantía limitada y procedimientos de reclamo

Si descubre dentro del Período de Garantía aplicable que su Producto WORKSHOP tiene un defecto que cree que está cubierto por esta garantía limitada, debe contactar al Departamento de Servicio al Cliente de Productos WORKSHOP de ETC llamando al (888) 455-8724 entre las horas de 8:30 a.m. y 4:30 p.m. Hora Central. Alternativamente, podrá contactar al Departamento de Servicio al Cliente de Productos WORKSHOP de ETC escribiendo a la dirección de correo electrónico indicada en su Manual del Usuario o en la página de Productos WORKSHOP del sitio Web de ETC.

Para que se procese su reclamo bajo garantía lo más rápidamente posible, sugerimos que complete la “Tarjeta de Registro” que está a su disposición en la página de Productos WORKSHOP del sitio Web de ETC en www.WORKSHOPvac.com. Si opta por no registrar su Producto WORKSHOP, para presentar un reclamo bajo garantía tendrá que proporcionarnos una copia de su recibo de venta u otro comprobante de compra que muestre la fecha de compra, para confirmar que su reclamo está dentro del Período de Garantía y que usted es el comprador original.

GARANTÍA LIMITADA DE WORKSHOP®

Qué haremos para corregir los problemas

Después de que usted haya contactado al Departamento de Servicio al Cliente de Productos WORKSHOP de ETC conforme a los procedimientos que anteceden, ETC iniciará los procedimientos de la garantía, incluyendo una inspección física, sujeto a las exclusiones y al Período de Garantía que se establecen en este documento, para determinar si reparar o reemplazar el Producto WORKSHOP o darle a usted un reembolso.

La decisión de reparar o reemplazar su Producto WORKSHOP o darle un reembolso es a nuestra discreción exclusiva. La reparación o los reemplazos que ETC le provea a usted son sin costo alguno para usted si están cubiertos bajo esta garantía limitada. La cobertura bajo esta garantía limitada está condicionada en todo momento a que el comprador original cumpla con la notificación de garantía limitada que antecede y los correspondientes procedimientos de reclamo.

Si su reclamo está cubierto bajo esta garantía limitada, nosotros, a nuestra opción exclusiva (a) repararemos o reemplazaremos la porción defectuosa de su Producto WORKSHOP o (b) reemplazaremos todo su Producto WORKSHOP. Si no podemos proporcionarle un Producto WORKSHOP reparado o de repuesto que sea adecuado, le daremos un reembolso igual al precio de compra de su Producto WORKSHOP o un crédito para utilizarlo hacia la compra de un Producto WORKSHOP nuevo.

No se aplica ninguna otra garantía expresa

LAS GARANTÍAS LIMITADAS PROVISTAS MÁS ARRIBA SON LAS GARANTÍAS ÚNICAS Y EXCLUSIVAS OFRECIDAS POR ETC AL COMPRADOR ORIGINAL DEL PRODUCTO WORKSHOP Y SUSTITUYEN A TODAS LAS DEMÁS GARANTÍAS, ESCRITAS U ORALES, EXPRESAS O IMPLÍCITAS, TANTO SI SURGEN POR EFECTO DE LA LEY COMO DE OTRA MANERA, INCLUYENDO, SIN LIMITACIÓN, LAS GARANTÍAS DE COMERCIABILIDAD O IDONEIDAD PARA UN PROPÓSITO ESPECÍFICO, TANTO SI EL PROPÓSITO HA SIDO REVELADO COMO SI NO LO HA SIDO Y SI EL PRODUCTO WORKSHOP HA SIDO O NO HA SIDO DISEÑADO O FABRICADO ESPECÍFICAMENTE PARA USO POR USTED O PARA EL PROPÓSITO QUE USTED TENGA. LOS DESCARGOS DE RESPONSABILIDADES DE LAS GARANTÍAS IMPLÍCITAS, INCLUYENDO SIN LIMITACIÓN LAS GARANTÍAS IMPLÍCITAS DE COMERCIABILIDAD E IDONEIDAD PARA UN PROPÓSITO ESPECÍFICO, NO ENTRARÁN EN VIGOR HASTA EL FINAL DEL PERÍODO DE GARANTÍA. Ningún empleado, agente, distribuidor u otra persona está autorizado a alterar esta garantía limitada u ofrecer cualquier otra garantía en nombre de ETC. Los términos de esta garantía limitada no serán modificados por ETC, el propietario original o sus respectivos sucesores o cesionarios.

Limitación de responsabilidad

EN LA MEDIDA EN QUE ESTÉ PERMITIDO POR LA LEY, ETC NO SERÁ RESPONSABLE EN NINGÚN CASO POR DAÑOS INCIDENTALES, ESPECIALES, INDIRECTOS O EMERGENTES, INCLUYENDO CUALQUIER PÉRDIDA ECONÓMICA, TANTO SI RESULTA DE BAJO RENDIMIENTO, USO, USO INCORRECTO O INCAPACIDAD PARA UTILIZAR EL PRODUCTO WORKSHOP, COMO SI SE DEBE A LA NEGLIGENCIA DE ETC. ETC NO SERÁ RESPONSABLE POR DAÑOS CAUSADOS POR LA DEMORA EN EL RENDIMIENTO DEBIDO Y EN NINGÚN CASO, INDEPENDIEMENTE DE LA FORMA DEL RECLAMO O LA CAUSA DE ACCIÓN (TANTO SI SE BASA EN CONTRATO COMO EN INFRACCIÓN, NEGLIGENCIA, RESPONSABILIDAD ESTRUCTIVA, OTRO AGRAVIO O CUALQUIER OTRA COSA), LA RESPONSABILIDAD DE ETC HACIA USTED O CUALQUIER PERSONA QUE UTILICE EL PRODUCTO WORKSHOP EXCEDERÁ EL PRECIO PAGADO POR EL PROPIETARIO ORIGINAL POR EL PRODUCTO WORKSHOP. La expresión "daños emergentes" incluirá, pero no estará limitada a, pérdida de ganancias anticipadas, interrupción del negocio, pérdida de uso o ingresos, costo de capital o pérdida de bienes o equipos o daños a los mismos.

Algunos estados no permiten la exclusión ni la limitación de los daños incidentales o emergentes, por lo que es posible que la limitación que antecede no tenga aplicación en el caso de usted.

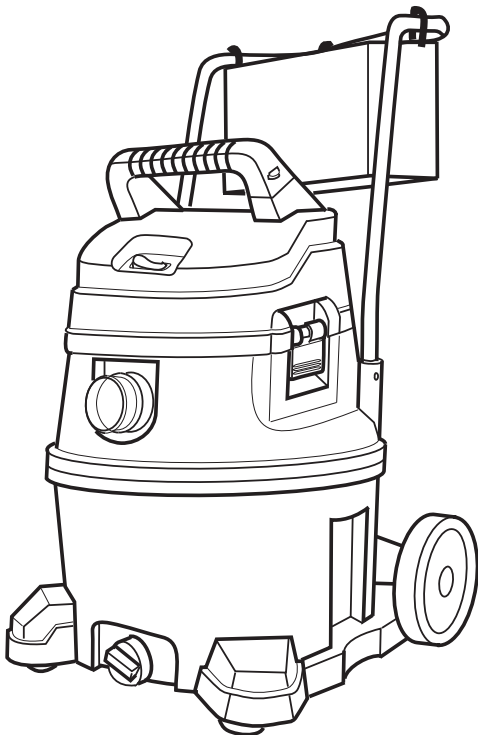
Esta garantía limitada le confiere a usted derechos legales específicos y es posible que usted tenga también otros derechos que varían de un estado a otro.

WORKSHOP[®] MD

WET/DRY VACS

- Aspirateur de liquides et de poussières professionnel
- 14 gallons É.-U/
52 litres
- WS1400CA0

MODE D'EMPLOI



EN CAS DE QUESTIONS OU POUR OBTENIR DES INFORMATIONS,
VEUILLEZ NOUS CONTACTER AU :
1-888-455-8724 depuis les États-Unis et le Canada
www.WORKSHOPvacs.com

⚠ AVERTISSEMENT :

Pour réduire le risque de blessure, l'utilisateur doit lire et comprendre le mode d'emploi avant d'utiliser ce produit.

CONSERVER CE MANUEL POUR RÉFÉRENCE FUTURE

TABLE DES MATIÈRES

Sujet	Page
Instructions importantes relatives à la sécurité	34
Introduction	36
Déballage et inspection du contenu du carton	36
Outils nécessaires	36
Liste du contenu de la boîte en carton	36
Retrait et installation du filtre	38
Assemblage du tambour/chariot	39
Mise en place de la poignée	40
Retrait de la poignée	40
Installation du sac de rangement des accessoires	41
Assemblage de l'aspirateur de liquides et de poussières	41
Rangement et assemblage des accessoires	42
Enroulement du cordon	42

Sujet	Page
Manchon de verrouillage	42
Fonctionnement	43
Choix du filtre correct	44
Vidage du tambour	45
Fonction de soufflante	45
Entretien	45
Filtre	45
Nettoyage et désinfection de l'aspirateur de liquides et de poussières	46
Entretien du cordon d'alimentation	46
Rangement	46
Roulettes et roues	46
Cadre et poignées	46
Garantie	47
Pièces de rechange	49
Réparation de l'aspirateur de liquides et de poussières doublement isolé	49

INSTRUCTIONS IMPORTANTES RELATIVES À LA SÉCURITÉ

La sécurité est une combinaison de faire preuve de bon sens, rester vigilant et savoir comment votre aspirateur de liquides et de poussières (l'« aspirateur ») fonctionne.

Termes de signalisation de questions de sécurité

▲ DANGER : indique une situation dangereuse qui, si elle n'est pas évitée, causera la mort ou une blessure grave.

▲ AVERTISSEMENT : indique une situation dangereuse qui, si elle n'est pas évitée, risque de causer la mort ou une blessure grave.

▲ MISE EN GARDE : indique une situation dangereuse qui, si elle n'est pas évitée, pourrait causer une blessure légère ou modérée.

Prenez toujours des précautions élémentaires, notamment les précautions suivantes, lorsque vous utilisez votre aspirateur de liquides et de poussières :

▲ AVERTISSEMENT

– Pour réduire le risque d'incendie, de choc électrique ou de blessure :

- Lisez et comprenez ce manuel et toutes les étiquettes placées sur l'aspirateur avant de mettre celui-ci en marche.
- N'utilisez l'aspirateur que comme cela est décrit dans ce mode d'emploi.
- Ne laissez pas en marche pendant que vous êtes absent – vous vous risqueriez de manquer des signes importants indiquant un fonctionnement anormal, comme une perte de puissance d'aspiration, la sortie de débris ou de liquides par la bouche de soufflage d'air ou des bruits anormaux en provenance du moteur. Cessez immédiatement d'utiliser l'aspirateur si vous constatez de tels signes.
- Ne laissez pas l'aspirateur sans surveillance quand il est branché dans une prise de courant. Débranchez-le de la prise quand il n'est pas utilisé et avant toute opération de maintenance.

- Des étincelles à l'intérieur du moteur risquent de mettre feu à des vapeurs ou poussières inflammables. Pour réduire le risque d'incendie ou d'explosion : n'utilisez pas à proximité de gaz ou de liquides inflammables ou combustibles, ou de poussières explosives, comme de l'essence automobile ou d'autres fiouls, de l'essence à briquet, des produits de nettoyage, de la peinture à l'huile, du gaz naturel, de l'hydrogène, de la poussière de charbon, de la poussière de magnésium, de la poussière d'aluminium, de la poussière de céréales ou de la poudre.
- N'aspirez jamais de matières en train de brûler ou des matières fumigènes, telles que des cigarettes, des allumettes ou des cendres chaudes.
- N'aspirez jamais de poussières de plaques de plâtre, de suie ou de cendres de cheminée froides lorsqu'un filtre pour aspirateur de liquides et de poussières standard. Il s'agit de poussières très fines qui risqueraient d'être projetées à nouveau dans l'air ambiant. Utilisez un filtre à poussières fines à la place.
- Pour réduire le risque d'inhalation de vapeurs toxiques, n'aspirez pas de matériaux toxiques ou dangereux, et n'utilisez pas à proximité de tels matériaux.
- Pour réduire le risque de choc électrique, n'exposez pas à la pluie et empêchez l'entrée de liquides dans le compartiment du moteur. Rangez à l'intérieur.
- Ne laissez pas les enfants se servir de l'aspirateur comme d'un jouet. Il faut surveiller de très près quand il est utilisé par des enfants ou à proximité d'enfants.
- N'utilisez pas avec un filtre déchiré ou sans avoir installé de filtre, sauf quand vous aspirez des liquides, comme cela est décrit dans ce mode d'emploi. Des débris secs capturés par la roue risquent d'endommager le moteur ou d'être expulsés à nouveau dans l'air ambiant.
- Éteignez l'aspirateur avant de le débrancher.
- Pour réduire le risque de blessure pouvant être causée par une mise en marche accidentelle, débranchez le cordon d'alimentation avant de changer le filtre ou de le nettoyer.

- Ne débranchez pas en tirant sur le cordon. Pour débrancher, saisissez la fiche – pas le cordon.
- N'utilisez pas l'aspirateur avec une fiche, un cordon ou un autre composant endommagé. Si votre aspirateur ne fonctionne pas comme il faut, s'il manque des pièces, s'il quelqu'un l'a laissé tomber, s'il est endommagé, s'il a été laissé à l'extérieur ou s'il est tombé dans de l'eau, téléphonez au service d'assistance à la clientèle.
- Ne tirez pas l'aspirateur et ne le portez pas par son cordon, n'utilisez pas le cordon pour servir de poignée, ne fermez pas une porte sur le cordon et ne laissez pas le cordon tendu passer sur des bords ou des coins tranchants. Ne traînez pas l'aspirateur sur son cordon. Maintenez le cordon à distance des surfaces chauffées.
- Ne touchez pas la fiche, l'interrupteur ou l'aspirateur avec des mains mouillées.
- Utilisez seulement des cordons de rallonge qui sont conçus pour emploi à l'extérieur. Les cordons de rallonge en mauvais état ou trop petits en termes de calibre des fils peuvent poser des risques d'incendie et de choc électrique. Pour réduire le risque de tels dangers, inspectez les cordons pour vous assurer qu'ils sont en bon état et que le liquide n'entre pas en contact avec le raccordement. N'utilisez pas de cordons de rallonge dont les conducteurs ont un calibre inférieur à 16 AWG. Pour réduire la perte d'énergie, utilisez un cordon de rallonge de calibre 14 s'il mesure entre 7,5 et 15 mètres de long, ou de calibre 12 s'il mesure 15 mètres de long ou plus.
- Cet aspirateur de liquides et de poussières a une double isolation, ce qui élimine le besoin d'un système de mise à la terre séparé. Utilisez seulement des pièces de rechange identiques. Lisez les instructions concernant l'entretien des aspirateurs de liquides et de poussières à double isolation avant toute opération d'entretien.
- Ne mettez aucun objet dans les orifices de ventilation. N'aspirez pas quand de quelconques orifices de ventilation sont obstrués ; assurez-vous que ces orifices ne sont pas bloqués par de la poussière, de la peluche, des cheveux ou de quelconques objets pouvant réduire la circulation de l'air.
- Gardez les cheveux, les vêtements flottants, les doigts et toutes les parties du corps à distance des orifices et des pièces mobiles.
- Pour réduire le risque de chute, faites très attention lorsque vous utilisez l'aspirateur dans des escaliers.
- Pour réduire le risque de vous faire mal au dos ou de tomber, ne soulevez pas un aspirateur qui est lourd en raison de la présence de liquides ou de débris aspirés. Videz partiellement l'aspirateur en écopant ou en purgeant de façon à l'alléger pour pouvoir le soulever plus facilement.
- Pour réduire le risque de blessure ou le risque d'endommagement de l'aspirateur, n'utilisez que des accessoires recommandés par WORKSHOP.
- En cas d'utilisation de l'aspirateur comme soufflante :
 - Ne dirigez la décharge d'air que vers la zone de travail.
 - Ne dirigez pas l'air vers des personnes présentes à proximité.
 - Gardez les enfants à distance lors du fonctionnement de la soufflante.
 - N'utilisez la soufflante que pour souffler des saletés et des débris.
 - N'utilisez pas en guise de pulvérisateur.
 - Portez des lunettes de sécurité.
- Pour réduire le risque de blessure pour les yeux, portez des lunettes de sécurité. L'utilisation de toute soufflante ou de tout aspirateur utilitaire peut toujours causer la projection de corps étrangers dans les yeux, ce qui risque d'entraîner des blessures graves aux yeux.
- Pour réduire le risque d'être frappé ou entraîné par un aspirateur en train de rouler, bloquez les roulettes lorsque vous utilisez l'aspirateur sur une surface inégale ou inclinée.

▲ MISE EN GARDE :

- Pour réduire le risque de perte auditive, portez des protecteurs d'oreilles lorsque vous vous servez de l'aspirateur pendant plusieurs heures ou quand vous l'utilisez dans un endroit bruyant.
- Portez un masque antipoussières en cas d'utilisation dans un environnement poussiéreux.
- Les décharges statiques sont fréquentes dans les endroits secs ou lorsque l'humidité relative de l'air ambiant est faible. L'aspiration de débris fins avec votre aspirateur peut déposer une charge statique sur le tuyau ou sur l'aspirateur. La meilleure chose à faire pour réduire la fréquence des décharges statiques chez vous ou lorsque vous utilisez cet aspirateur consiste à ajouter de l'humidité dans l'air avec un humidificateur.

Observez les avertissements suivants qui figurent sur le carter du moteur de votre aspirateur :



DOUBLEMENT ISOLÉ.
MISE À LA TERRE NON NÉCESSAIRE.
POUR L'ENTRETIEN, N'UTILISEZ QUE DES
PIÈCES DE RECHANGE IDENTIQUES.

▲ AVERTISSEMENT: pour votre propre sécurité, lisez et comprenez le manuel de l'opérateur. Ne laissez jamais l'aspirateur en marche sans surveillance. Ne ramassez pas de cendres chaudes, de charbon ou de matières toxiques, inflammables ou dangereuses. N'utilisez pas à proximité de vapeurs ou de liquides explosifs.

▲ AVERTISSEMENT: pour réduire le risque de choc électrique – n'exposez pas à la pluie – rangez à l'intérieur.

CONSERVER CE MANUEL

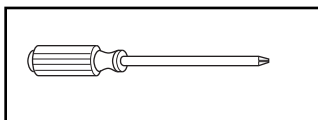
INTRODUCTION

Cet aspirateur de liquides et de poussières professionnel est conçu pour un emploi domestique. Il peut être utilisé pour l'aspiration de matières légères humides ou sèches, et il peut également faire fonction de soufflante.

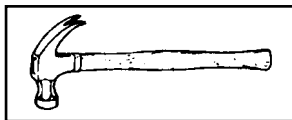
Familiarisez-vous avec les fonctions suivantes de ce produit, et lisez le mode d'emploi du début à la fin pour obtenir des détails précis sur l'utilisation de votre nouvel aspirateur de liquides et poussières.

DÉBALLAGE ET INSPECTION DU CONTENU DU CARTON

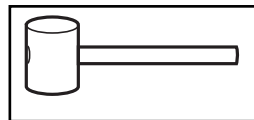
Outils nécessaires



Tournevis à tête cruciforme long



Marteau



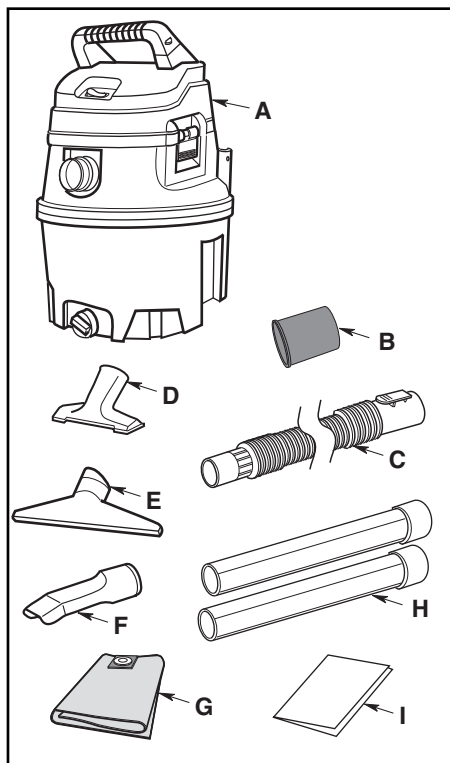
Maillet

Se référer au croquis d'assemblage pour le positionnement des pièces.

Retirez tous les éléments se trouvant dans la boîte en carton. Inspectez chaque élément en le comparant à la liste incluse dans la boîte en carton. Téléphonnez au 1-888-455-8724 ou envoyez-nous un courriel à info@WORKSHOPvacs.com si des pièces sont manquantes ou endommagées.

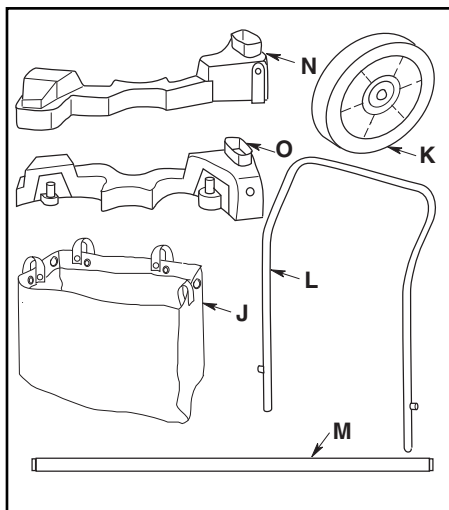
Liste du contenu de la boîte en carton

Légende	Description	Qté
A	Ensemble d'aspirateur de liquides et de poussières	1
B	Manchon de verrouillage	1
C	Tuyau flexible verrouillable Dual-Flex™	1
D	Suceur à usages multiples	1
E	Suceur humide	1
F	Suceur pour véhicules.....	1
G	Sac de collecte de poussière	1
H	Baguettes de rallonge.....	2
I	Mode d'emploi.....	1

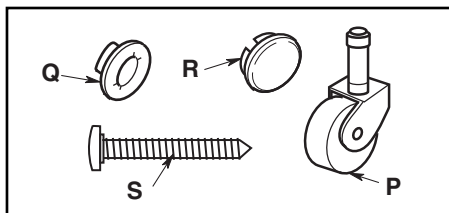


DÉBALLAGE ET INSPECTION DU CONTENU DU CARTON (suite)

Légende	Description	Qté
Boîte en carton contenant les pièces suivantes :		
J	Sac de rangement des accessoires	1
K	Roue de 8 po.....	2
L	Poignée en métal.....	1
M	Essieu.....	1
N	Chariot, côté droit	1
O	Chariot, côté gauche	1



Légende	Description	Qté
Sachet de pièces détachées – Contenant les pièces suivantes :		
P	Roulette de 2 po.....	2
Q	Écrou borgne de 1/2 po	2
R	Chapeau de roue	2
S	Vis de type AB N° 10 x 3/4	4



RETRAIT ET INSTALLATION DU FILTRE

Retrait et installation du filtre Qwik Lock™

Retrait du filtre :

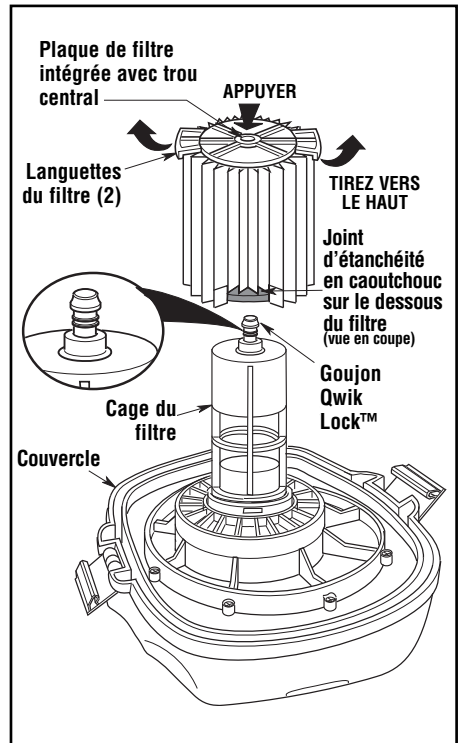
1. Saisissez les deux languettes du filtre Qwik Lock™, une dans chaque main.
2. Placez un pouce sur le goujon Qwik Lock™, qui dépasse de la plaque de filtre intégrée, tirez sur les languettes du filtre et appuyez en même temps sur le goujon.
3. Cette action aura pour effet que le filtre sera relâché de la cage du filtre. Faites glisser le filtre pour le sortir de la cage.

Installation du filtre :

1. Faites glisser délicatement le filtre Qwik Lock™ par-dessus la cage du filtre et appuyez sur le bord extérieur du filtre jusqu'à ce que le joint d'étanchéité en caoutchouc sur le dessous du filtre soit solidement installé autour de la base de la cage du filtre et contre le couvercle.
2. Alignez le petit trou central sur le dessus du filtre au-dessus du goujon Qwik Lock™ sur la cage du filtre. Appuyez fermement sur le dessus du filtre, à proximité du goujon, pour permettre au filtre de s'emboîter sur l'embout sphérique du goujon. Le filtre est maintenant installé.

REMARQUE : si vous n'installez pas correctement le joint d'étanchéité du dessous, il est possible que des débris passent à côté du filtre.

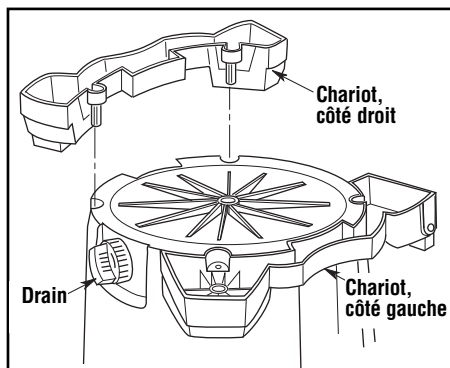
⚠ AVERTISSEMENT : ne faites pas fonctionner sans la cage du filtre et le flotteur étant donné qu'ils empêchent l'entrée de liquide dans la roue et protègent ainsi le moteur contre les dommages pouvant en résulter.



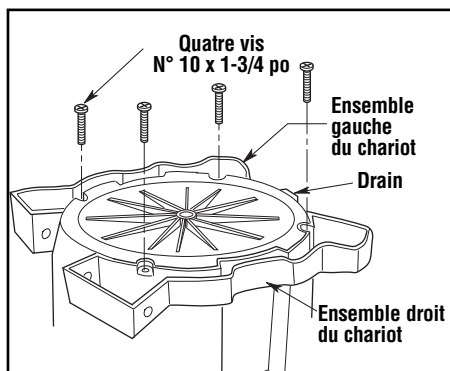
ASSEMBLAGE DU TAMBOUR/CHARIOT

Ne commencez pas le montage si vous ne disposez pas de toutes les pièces.

1. Insérez le côté gauche et le côté droit du chariot dans la partie inférieure du tambour, tel que cela est illustré. Il vous sera peut-être nécessaire de tapoter à l'aide d'un maillet ou d'un marteau pour que les deux composants du chariot s'encastrent complètement.

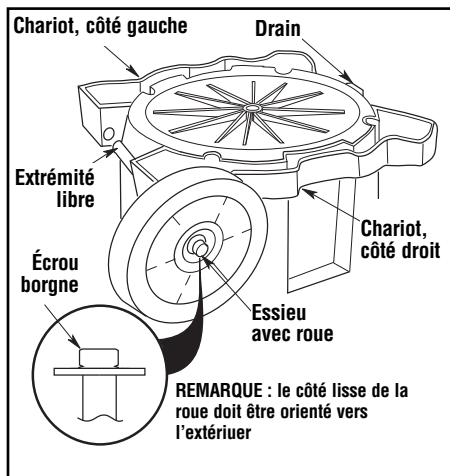


2. Insérez les quatre vis (N° 10 x 1-3/4 po) dans les trous réservés à cet effet sur le côté gauche et sur le côté droit du chariot, et assujettissez-les à la partie inférieure du tambour. Serrez les vis, mais pas de façon excessive car cela a tendance à déformer le chariot.



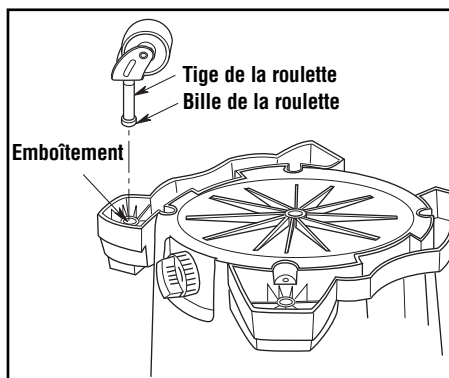
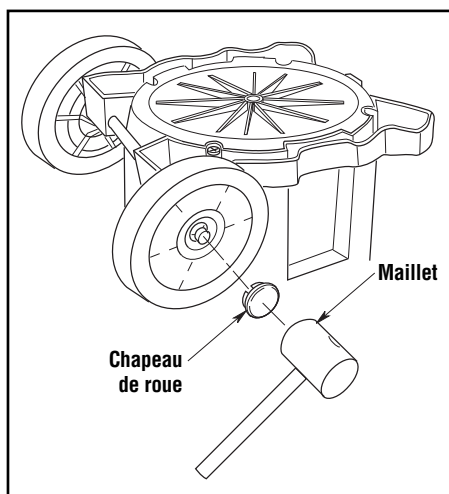
3. Installation des écrous borgnes :

- Placez l'écrou borgne sur l'extrémité de l'essieu;
- Tapotez à l'aide d'un marteau jusqu'à ce que l'écrou soit complètement mis en place ;
- Placez la roue sur l'essieu, la portion lisse de la roue étant orientée vers l'extérieur.



ASSEMBLAGE DU TAMBOUR/CHARIOT (suite)

4. Faites glisser l'extrémité libre de l'essieu à travers le composant gauche du chariot en veillant à ce que la fente pour le pied soit alignée avec l'orifice réservé au berceau. Faites-la glisser à fond à travers le composant droit du chariot. Il sera peut-être nécessaire de tapoter à l'aide d'un maillet pour insérer l'essieu complètement.
5. Installez la seconde roue sur l'essieu, la portion lisse de la roue étant orientée vers l'extérieur.
6. Installez le second écrou borgne. Tapotez doucement sur l'écrou jusqu'à ce qu'il soit complètement mis en place.
7. À l'aide d'un maillet en caoutchouc ou d'un marteau, tapotez doucement sur le chapeau de roue jusqu'à ce qu'il soit fermement mis en place sur la roue de droite. Effectuez la même procédure avec le chapeau de roue et la roue de gauche.
8. Insérez la tige de la roulette dans l'emboîtement du pied de la roulette tel que cela est illustré (roulette avant seulement).
9. Avec un léger mouvement tournant, poussez sur la roulette jusqu'à ce que la bille située sur la tige de la roulette soit insérée à fond dans l'emboîtement. Vous pourrez entendre un bruit sec lorsque la bille s'encastrera dans l'emboîtement, et la roulette pivotera facilement une fois que le positionnement aura bien été effectué.



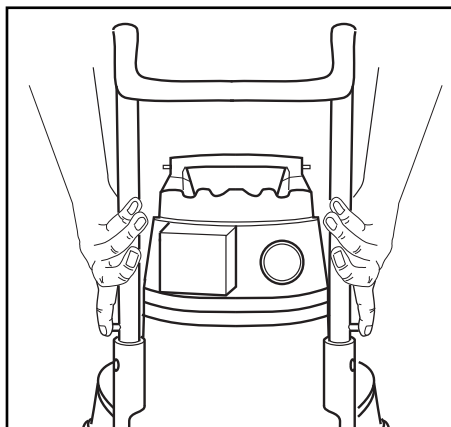
Mise en place de la poignée

Appuyez sur les boutons de déclenchement, et maintenez-les enfoncés, pendant que vous placez la poignée dans les logements de la poignée situés sur le tambour (veuillez vous reporter à l'illustration).

REMARQUE : lorsque vous entendrez un bruit sec provenant des boutons de déclenchement, cela indiquera que la poignée a été correctement engagée.

Retrait de la poignée

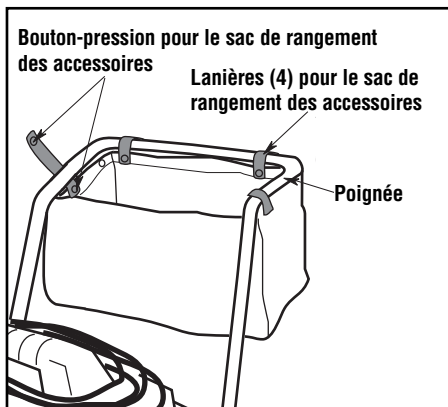
Appuyez sur les boutons de déclenchement, et maintenez-les enfoncés, tel que cela est illustré. Tout en appuyant fermement sur les boutons de déclenchement, tirez la poignée vers le haut afin de la retirer (veuillez vous reporter à l'illustration).



ASSEMBLAGE DU TAMBOUR/CHARIOT (suite)

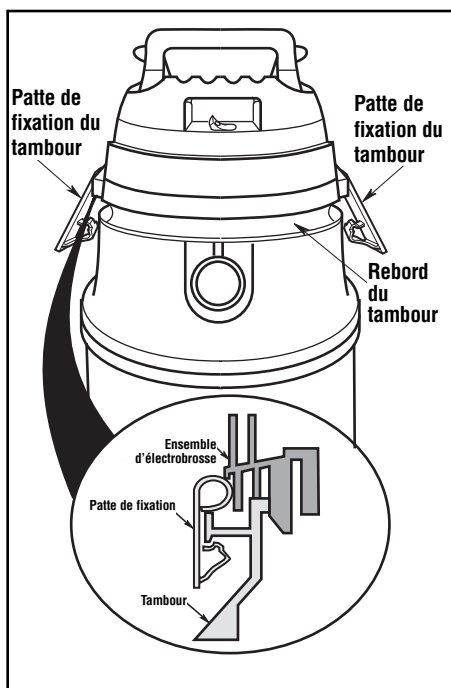
Installation du sac de rangement des accessoires

Installez le sac de rangement des accessoires comme illustré, les supports des tiges de rallonge faisant face à l'appareil.



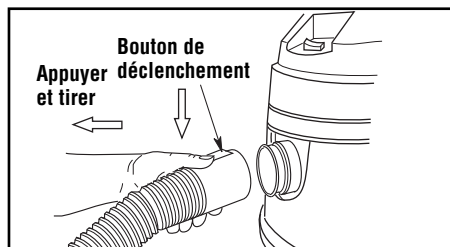
ASSEMBLAGE DE L'ASPIRATEUR DE LIQUIDES ET DE POUSSIÈRES

1. Positionnez l'ensemble d'élément moteur sur l'ensemble de tambour/chariot tel que cela est illustré (déjà assemblé au cours d'une étape précédente).
2. Faites pivoter les deux pattes de fixation vers le bas et appuyez jusqu'à ce qu'elles s'encliquettent sur les rebords du tambour (vous entendrez un bruit sec).



Insertion du tuyau

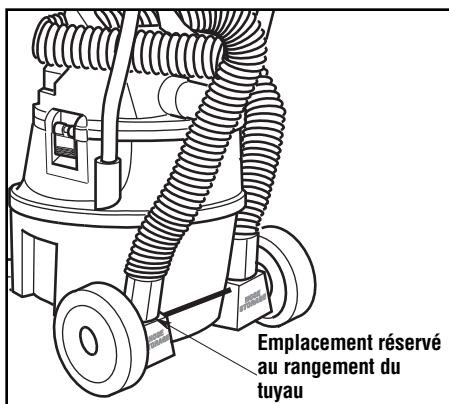
Insérez l'extrémité du bouton-poussoir du tuyau flexible verrouillable Dual-Flex™ dans l'orifice d'admission de l'aspirateur. Le tuyau devrait se mettre en place avec un bruit sec. Pour retirer le tuyau de l'aspirateur, appuyez sur le bouton de déclenchement sur le tuyau et tirez sur le tuyau jusqu'à ce qu'il sorte de l'orifice d'aspiration de l'appareil, tel que cela est illustré.



RANGEMENT ET ASSEMBLAGE DES ACCESSOIRES

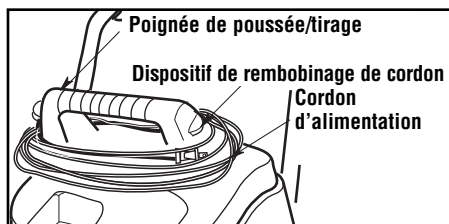
Vos accessoires peuvent être placés dans le sac de rangement des accessoires amovible ou dans les deux emplacements à droite et à gauche du chariot. Il est possible de ranger soit le tuyau flexible, soit les tubes de rallonge rigides dans les deux endroits marqués « Hose Storage » (Rangement des tuyaux flexibles).

Vous pouvez ranger le tuyau en'enroulant autour de l'appareil et en plaçant son extrémité libre dans l'un des deux emplacements réservés au rangement sur l'ensemble de chariot. Les tubes de rallonge rigides peuvent aussi être rangés à cet endroit en insérant l'une quelconque des extrémités de ces tubes dans les récepteurs de rangement situés sur le chariot.



Enroulement du cordon

Après avoir passé l'aspirateur, débranchez le cordon et enroulez-le autour de l'élément moteur, tel que cela est illustré. Le cordon doit s'enrouler sous la poignée de tirage (au dessus de la rainure), et autour et en dessous du dispositif de rembobinage de cordon situé sur le capot du moteur.



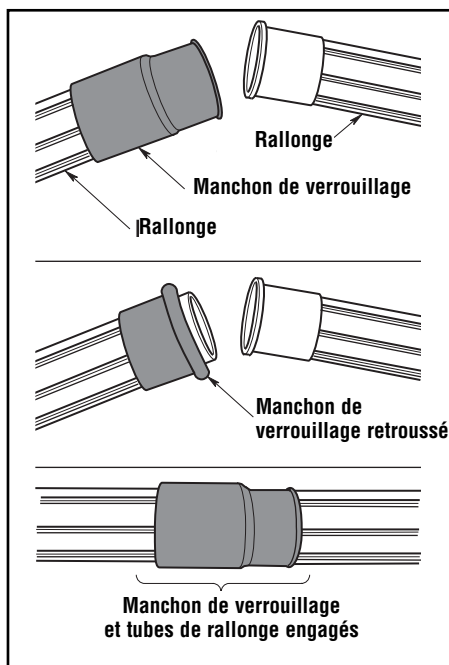
Manchon de verrouillage

Le manchon de verrouillage a été conçu de façon à permettre des raccordements plus solides des accessoires.

Le manchon de verrouillage peut être utilisé pour le raccordement des éléments suivants :

- un tube de rallonge à un autre tube de rallonge (illustré)
- un tuyau flexible avec un tube de rallonge
- un tube de rallonge avec un suceur

Pour installer le manchon de verrouillage : enflez le manchon de verrouillage au-dessus de l'extrémité de l'accessoire, retroussez le manchon de verrouillage de façon à exposer l'extrémité de l'accessoire, attachez l'accessoire et déroulez le manchon par-dessus l'accessoire ainsi attaché.



FONCTIONNEMENT

▲ AVERTISSEMENT : pour réduire le risque d'incendie, d'explosion ou d'endommagement de l'aspirateur :

- Ne laissez pas en marche pendant que vous êtes absent – vous vous risqueriez de manquer des signes importants indiquant un fonctionnement anormal, comme une perte de puissance d'aspiration, la sortie de débris ou de liquides par la bouche de soufflage d'air ou des bruits anormaux en provenance du moteur. Cessez immédiatement d'utiliser l'aspirateur si vous constatez de tels signes.
- Ne laissez pas l'aspirateur branché lorsque vous ne l'utilisez pas.
- Ne continuez pas à utiliser l'aspirateur lorsque le flotteur a coupé l'aspiration.
- Les étincelles à l'intérieur du moteur risqueraient de mettre feu à des matières inflammables en suspension dans l'air. Ne pas utiliser l'aspirateur à proximité de liquides inflammables ou à des endroits où il y a des gaz ou des vapeurs inflammables, ou de la poussière explosive/dans l'air. Les liquides, gaz et vapeurs inflammables comprennent : essence à briquet, produits de nettoyage du type solvant, peinture à base d'huile, essence, alcool et aérosols. Types de poussières explosives : charbon, magnésium, aluminium, céréales et poudre noire.
- N'aspirez pas de poussières explosives, de liquides inflammables ou de cendres chaudes.

▲ AVERTISSEMENT : pour réduire le risque de choc électrique ou de blessure :

- N'exposez pas à la pluie, et ne laissez pas de liquides pénétrer dans le compartiment du moteur. Rangez à l'intérieur.
- Ne touchez pas la fiche de branchement, l'interrupteur ou l'aspirateur si vous avez les mains mouillées.
- Débrancher l'aspirateur avant d'effectuer une quelconque opération de maintenance. Si votre aspirateur ne fonctionne pas comme il devrait, si des pièces sont manquantes, si vous l'avez laissé tomber, s'il est endommagé, s'il a été laissé à l'extérieur ou s'il a été immergé dans de l'eau, rappelez-le dans un centre de réparation indépendant ou téléphonez au service d'assistance à la clientèle.
- Lorsque vous utilisez un cordon de rallonge, n'utilisez qu'un cordon prévu pour emploi à l'extérieur et en bon état. Ne laissez pas la connexion entrer en contact avec des liquides.

Pour réduire le risque de choc électrique, cet appareil est muni d'une fiche polarisée. La fiche n'entrera dans une prise polarisée que d'une seule manière. Inverser la fiche si elle n'entre pas complètement dans la prise. Si elle n'entre toujours pas, prendre contact avec un électricien qualifié pour installer une prise de courant appropriée. Ne pas altérer la fiche de quelque manière que ce soit.

Après avoir branché le cordon d'alimentation dans la prise de courant, mettez l'appareil sous tension en appuyant sur l'interrupteur pour le faire passer de la position « 0 » à la position « I ». Ces deux symboles internationaux figurant sur le capot du moteur indiquent, respectivement, la position d'arrêt et la position de marche de votre aspirateur.

○ = ARRÊT | = MARCHÉ

FONCTIONNEMENT (suite)

Choix du filtre correct

⚠ AVERTISSEMENT : pour réduire le risque d'endommagement de l'aspirateur, ne mettez pas le moteur en marche avec le flotteur en position élevée. Un filtre à cartouche doit être présent et être en position correcte pendant toutes les opérations d'aspiration pour empêcher les fuites de débris et l'endommagement possible du moteur de l'aspirateur.

Il existe divers filtres qui sont disponibles pour les aspirateurs de liquides et de poussières WORKSHOP®. Vous devez choisir votre filtre en fonction de la tâche que vous effectuez alors. Tous les filtres disponibles ne sont pas inclus avec chaque modèle, mais ils peuvent être achetés suivant les besoins auprès de détaillants revendeurs d'aspirateurs de liquides et de poussières WORKSHOP ou en vous rendant sur le site www.WORKSHOPvac.com.

Liste des filtres disponibles :

1. Filtres à cartouche en papier accordéon

- a. Les filtres à cartouche en papier accordéon incluent les numéros de catalogue suivants : WS21200F (saletés ordinaires) WS22200F (poussières fines) et WS23200F (filtres à très haute efficacité).
- b. Chacun de ces filtres à cartouche en papier accordéon est conçu pour nettoyer des débris secs, mais il est néanmoins possible d'attirer un peu de liquide sans endommager le filtre. Si le filtre est maintenu en bon état, un peu de liquide ne causera pas de dommage au filtre. Lorsque vous aspirez beaucoup de liquide, le filtre à cartouche en papier accordéon deviendra saturé, de la buée apparaîtra peut-être près de l'orifice d'échappement de l'aspirateur et il se peut alors que le filtre soit endommagé. Après avoir utilisé l'aspirateur pour recueillir un peu de liquide, faites sécher soigneusement le filtre à cartouche en papier accordéon pour empêcher la présence de moisissures et pour éviter qu'il ne soit endommagé.
- c. Si vous utilisez votre aspirateur pour ramasser de la poussière très fine, vous devrez vider le tambour et nettoyer le filtre beaucoup plus fréquemment pour pouvoir maintenir la performance optimale de votre aspirateur.

d. Voir la rubrique intitulée « Retrait et installation du filtre » pour obtenir des instructions sur la façon de changer le filtre à cartouche en papier accordéon.

2. Filtre à cartouche pour applications humides

- a. Le filtre à cartouche pour applications humides disponible a le numéro de catalogue WS24200F.
- b. Ce filtre à cartouche pour applications humides est conçu pour nettoyer les liquides et les débris humides seulement. Il ne doit PAS être utilisé pour ramasser des débris secs.
- c. Pour maintenir la performance optimale du filtre, rincez soigneusement avec de l'eau après chaque emploi.
- d. Voir la rubrique intitulée « Retrait et installation du filtre » pour obtenir des instructions sur la façon de changer le filtre à cartouche pour applications humides.

3. Sacs de collecte de poussière

- a. Le sac de collecte de poussière disponible a le numéro de catalogue WS32200F.
- b. Le sac de collecte de poussière n'est conçu QUE pour le ramassage des débris secs.
- c. Si les débris ramassés sont humides, le sac absorbera l'humidité et risquera ainsi de se détériorer très vite, ce qui le rendra inutilisable.
- d. Si vous utilisez votre aspirateur pour ramasser de la poussière fine, le sac de collecte de poussière rendra le nettoyage plus facile.

Remarque : les sacs de collecte de poussière doivent être utilisés conjointement avec un filtre à cartouche en papier accordéon.

- e. Des instructions pour l'installation et le retrait des sacs de collecte de poussière sont imprimées sur les sacs.

FONCTIONNEMENT (suite)

Vidage du tambour

⚠ AVERTISSEMENT : pour réduire le risque de chute ou de blessure au dos il ne faut pas soulever un aspirateur plein de liquide ou de débris. Ramasser ou drainer suffisamment du contenu hors de l'aspirateur afin de rendre l'aspirateur assez léger pour le soulever confortablement.

1. Cet aspirateur est équipé d'un drain permettant d'évacuer facilement les liquides. Il suffit de dévisser le capuchon du drain et de soulever le côté opposé de l'aspirateur pour l'incliner légèrement afin de vider le tambour.
2. Une autre option possible consiste à retirer l'ensemble d'élément moteur.
3. Posez l'ensemble d'élément moteur sur le côté sur une surface propre tout en vidant le tambour.
4. Jetez le contenu du tambour dans une poubelle appropriée.

Fonction de soufflante

Votre aspirateur est muni d'un orifice de soufflante qui permet de chasser de la sciure ou d'autres débris. Veuillez réaliser les étapes suivantes pour utiliser votre aspirateur comme une soufflante.

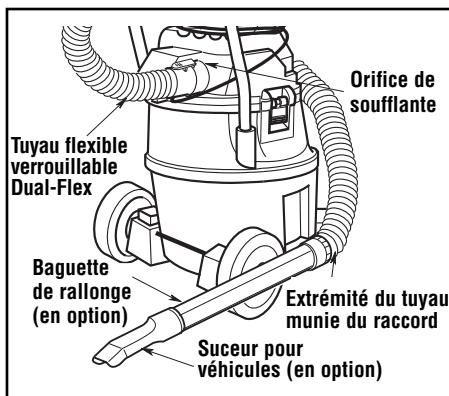
⚠ AVERTISSEMENT : il faut toujours porter des lunettes de protection conformes à la norme ANSI Z87.1/ACNOR Z94.3 avant de se servir de l'aspirateur comme une soufflante.

⚠ AVERTISSEMENT : pour ne pas risquer de causer des blessures à d'autres personnes, il est recommandé de leur demander de rester à distance suffisante des débris soufflés.

⚠ MISE EN GARDE : portez un masque anti-poussière si votre soufflage crée de la poussière qui pourrait être aspirée.

⚠ MISE EN GARDE : pour réduire le risque d'endommagement de l'ouïe, portez des protecteurs d'oreilles quand vous utilisez l'aspirateur/la souffleuse pendant de longues périodes ou quand vous l'utilisez dans un environnement bruyant.

1. Localisez l'orifice de soufflante sur votre aspirateur.
2. Insérez l'extrémité verrouillable du tuyau flexible verrouillable Dual-Flex™ dans l'orifice de soufflerie de l'aspirateur. Le tuyau devrait se mettre en place d'un coup sec. Pour retirer le tuyau de l'aspirateur, appuyez sur le bouton de déclenchement sur l'ensemble de tuyau et sortez le tuyau de l'entrée d'aspiration en tirant.
3. (Optionnel) Fixez la baguette de rallonge sur l'extrémité opposée du tuyau, puis placez le suceur pour véhicules sur la baguette.
4. Après avoir mis l'aspirateur sous tension, vous serez prêt à l'utiliser comme une soufflante.



ENTRETIEN

Filtre

⚠ AVERTISSEMENT : pour réduire le risque de blessure en raison d'une mise en marche accidentelle, débrancher le cordon électrique avant de remplacer le filtre ou de le nettoyer.

REMARQUE : le filtre est fait de papier de qualité élevée conçu pour intercepter les très petites particules de poussière. Le filtre peut être utilisé pour le ramassage de matière sèche ou de petits volumes de liquides. Manipuler le filtre avec précaution lors de son nettoyage ou de son installation. Les plis du filtre peuvent être froissés pendant l'installation, mais cela n'aura aucune influence sur la performance du filtre.

⚠ AVERTISSEMENT : ne faites pas fonctionner sans la cage du filtre et le flotteur étant donné qu'ils empêchent l'entrée de liquide dans la roue et protègent ainsi le moteur contre les dommages pouvant en résulter.

Nettoyage d'un filtre sec

REMARQUE : pour obtenir les meilleurs résultats lors du nettoyage après l'accumulation de poussière, nettoyer le filtre dans un endroit non clos. Le nettoyage DOIT être effectué à l'extérieur – pas dans des locaux d'habitation.

1. Le retrait de certains débris secs peut être accompli sans enlever le filtre de l'aspirateur. Donner un coup avec la main sur la partie supérieure du couvercle pendant que l'aspirateur est à l'arrêt.
2. Retirer le filtre de l'aspirateur. Tapoter doucement le filtre contre la paroi intérieure du tambour à poussière. Les débris se détacheront et tomberont.
3. Pour un nettoyage complet d'un filtre sec couvert de particules fines (pas de débris), il est conseillé de placer le filtre sous un robinet comme indiqué à la rubrique « Nettoyage d'un filtre humide ».

Nettoyage d'un filtre humide

Une fois le filtre retiré, faites couler de l'eau au travers du filtre à l'aide d'un tuyau d'arrosage ou d'un robinet. Veillez à ce que la pression de l'eau sortant du tuyau d'arrosage ne soit pas si forte qu'elle pourrait endommager le filtre. Laisser sécher le filtre avant de le réinstaller et de ranger l'aspirateur.

Nettoyage et désinfection de l'aspirateur de liquides et de poussières

Pour conserver l'esthétique optimale de votre aspirateur de poussières et de liquides, nettoyez la surface extérieure de l'aspirateur à l'aide d'un chiffon imbibé d'eau tiède savonneuse.

Procédure de nettoyage du tambour :

1. Vider les débris.
2. Nettoyez soigneusement le tambour à poussière à l'aide d'un savon doux et d'eau tiède.
3. Essuyer avec un chiffon sec.

Avant de ranger l'aspirateur pour une période prolongée, ou dans les cas nécessaires (par exemple après l'aspiration d'eaux usées), vous devez désinfecter le tambour.

Pour désinfecter le tambour :

1. Versez un gallon (presque 4 litres) d'eau et une cuillerée à thé de produit à blanchir à l'eau de javel dans le tambour.
2. Laissez la solution agir pendant 20 minutes, en remuant doucement de temps à autre pour vous assurer que toutes les surfaces du tambour restent humides.
3. Videz le tambour au bout de 20 minutes. Rincez à l'eau jusqu'à ce que l'odeur d'eau de javel ait disparu. Laissez sécher le tambour complètement avant de sceller le moteur sur le tambour.

Entretien du cordon d'alimentation

Une fois votre travail d'aspiration terminé, débranchez le cordon d'alimentation et enroulez-le autour du couvercle du moteur. Si le cordon est endommagé, il doit être remplacé par le fabricant afin de réduire le risque d'accident.

Rangement

Avant de ranger votre aspirateur, vous devez vider et nettoyer le tambour. Vous devez également enrouler le cordon d'alimentation autour de l'appareil et ranger le tuyau tel que cela décrit dans le présent mode d'emploi. Vous devez garder les accessoires au même endroit que l'aspirateur de façon à pouvoir y accéder facilement. Vous devez ranger l'aspirateur à l'intérieur d'un bâtiment.

Roulettes et roues

Si le chariot commence à grincer ou s'il devient difficile de le faire rouler, appliquer deux ou trois gouttes d'huile universelle sur chaque roue au niveau de l'essieu. Si les roulettes font du bruit, appliquer une goutte d'huile sur l'arbre pour les rendre silencieuses.

Cadre et poignées

La poignée en métal est peinte pour la protéger contre la rouille. Toutefois, il faut en retirer les liquides et les débris corrosifs en contact avec la poignée avec un chiffon non abrasif.

⚠ AVERTISSEMENT : pour assurer la SÉCURITÉ et la FIABILITÉ du produit, les réparations et réglages doivent être effectués par des centres agréés de service après-vente en utilisant toujours des pièces de rechange WORKSHOP.

GARANTIE LIMITÉE WORKSHOP®

La présente garantie limitée est offerte par Emerson Tool Company, une division d'Emerson Electric Co., établie à l'adresse indiquée ci-dessous (« ETC » ou « nous » ou « notre » ou « nos ») et elle s'applique à nos aspirateurs de liquides et de poussières de la marque WORKSHOP (collectivement, le « **Produit WORKSHOP®** »).

En cas de questions, ou si vous avez besoin d'assistance en ce qui concerne la garantie de votre Produit WORKSHOP, veuillez contacter le Département du service à la clientèle d'ETC pour les produits WORKSHOP au numéro d'appel gratuit ou à l'adresse figurant ci-dessous.

Garantie limitée WORKSHOP®

ETC, établie au 8100 W Florissant Ave., St. Louis, MO 63136, offre la garantie limitée suivante à l'acheteur original exclusivement (« **vous** » ou « **votre** ») sous réserve des exclusions décrites ci-dessous : votre Produit WORKSHOP ne comportera aucun défaut de matériau ou de fabrication en cas d'utilisation dans des conditions normales conformément aux dispositions du Mode d'emploi qui vous a été fourni avec le Produit WORKSHOP pendant une période de cinq (5) ans à compter de la date d'achat d'origine (la « **Période de garantie** »). La présente garantie limitée cesse de produire des effets si l'acheteur original cède le Produit WORKSHOP à une autre personne physique ou morale.

Ce qui n'est pas couvert - Exclusions de la garantie

La présente garantie limitée ne couvre pas et exclut expressément :

- L'usure normale et/ou les accessoires ou éléments amovibles tels que, sans toutefois s'y limiter, les cordons d'alimentation, les tuyaux flexibles, les filtres et tous autres accessoires ou éléments amovibles que nous pouvons mettre en vente pour emploi avec le Produit WORKSHOP.
- L'endommagement ou le claquage du moteur du Produit WORKSHOP causé par le fait qu'un blocage intervenu dans le cadre d'une utilisation normale n'aurait pas été éliminé.
- La destruction ou l'endommagement du Produit WORKSHOP pour des raisons au-delà du contrôle d'ETC, y compris, sans toutefois s'y limiter, un emploi inapproprié, un accident, une utilisation abusive, de la négligence, une faute (commise par une partie autre qu'ETC), un emploi excessivement intensif allant au-delà de la capacité nominale indiquée dans votre Mode d'emploi, ou des modifications ou des altérations effectuées par toute partie autre qu'ETC.
- La destruction ou l'endommagement du Produit WORKSHOP résultant du fait que le Produit WORKSHOP n'a pas été utilisé conformément aux instructions écrites, aux directives ou aux conditions générales énoncées dans le mode d'emploi.

Procédures de notification et de réclamation dans le cadre de la garantie limitée

Si, pendant la Période de garantie qui vous est applicable, vous découvrez que votre Produit WORKSHOP comporte un défaut qui, selon vous, est couvert par la présente garantie limitée, vous devez contacter le Département du service à la clientèle d'ETC pour les produits WORKSHOP au (888) 455-8724 entre les heures de 8h30 et de 16h30, Heure du Centre. Vous pouvez également contacter le Département du service à la clientèle d'ETC pour les Produits WORKSHOP à l'adresse courriel figurant dans votre mode d'emploi ou sur la page consacrée aux Produits WORKSHOP du site Internet d'ETC.

Pour que votre réclamation dans le cadre de la garantie puisse être traitée aussi rapidement que possible, nous vous suggérons de remplir la « Carte d'enregistrement » qui est mise à votre disposition sur la page consacrée aux Produits WORKSHOP du site Internet d'ETC à www.WORKSHOPvac.com. Si vous décidez de ne pas enregistrer votre Produit WORKSHOP, pour pouvoir faire une réclamation dans le cadre de la garantie, vous devrez nous fournir une copie de votre reçu ou un autre justificatif d'achat montrant la date de l'achat afin de confirmer que votre réclamation est effectuée avant la fin de la Période de garantie et que vous êtes l'acheteur original.

GARANTIE LIMITÉE WORKSHOP®

Ce que nous ferons pour remédier aux problèmes

Après que vous aurez contacté le Département du service à la clientèle d'ETC pour les produits WORKSHOP en appliquant les procédures ci-dessus, ETC déclenchera la procédure d'application de la garantie, y compris une inspection physique, sous réserve des exclusions et en tenant compte de la Période de garantie indiquée aux présentes, afin de déterminer s'il convient de réparer ou de remplacer le Produit WORKSHOP ou de vous rembourser le prix d'achat.

La décision de réparer ou de remplacer votre Produit WORKSHOP ou de vous en rembourser le prix d'achat est à notre discrétion absolue. La réparation ou le remplacement d'un Produit par ETC pour votre bénéfice ne vous coûtera rien si vous bénéficiez de la couverture de la présente garantie limitée. La couverture fournie en vertu de la présente garantie limitée ne s'applique, à tout moment, que si l'acheteur original respecte les procédures ci-dessous concernant la notification et la réclamation dans le cadre de la garantie limitée.

Si votre réclamation est couverte en vertu de la présente garantie limitée, nous nous engageons, à notre discrétion absolue, (a) à réparer ou à remplacer la partie défectueuse de votre Produit WORKSHOP ou (b) à remplacer la totalité de votre Produit WORKSHOP. Si nous ne sommes pas en mesure de mettre à votre disposition un produit WORKSHOP réparé de façon adéquate ou un Produit WORKSHOP de rechange, nous vous fournirons un remboursement d'un montant égal au prix d'achat de votre Produit WORKSHOP ou un crédit que vous pourrez utiliser pour acheter un nouveau Produit WORKSHOP.

Aucune autre garantie expresse ne s'applique

LES GARANTIES LIMITÉES FOURNIES CI-DESSUS SONT LES GARANTIES UNIQUES ET EXCLUSIVES FOURNIES PAR ETC À L'ACHETEUR ORIGINAL DU PRODUIT WORKSHOP, ET ELLE REMPLACE TOUTES LES AUTRES GARANTIES, ÉCRITES OU ORALES, EXPRESSES OU TACITES, QU'ELLES S'APPLIQUENT DE PLEIN DROIT OU AUTREMENT, Y COMPRIS, SANS TOUTEFOIS S'Y LIMITER, LES GARANTIES DE QUALITÉ MARCHANDE OU D'ADÉQUATION À UN BUT PARTICULIER, QUE LEDIT BUT AIT ÉTÉ DIVULGUÉ OU NON, ET QUE LE PRODUIT WORKSHOP AIT ÉTÉ ÇU OU FABRIQUÉ SPÉCIFIQUEMENT POUR VOTRE EMPLOI OU POUR VOTRE BUT. LES REJETS DE GARANTIES TACITES, Y COMPRIS, SANS TOUTEFOIS S'Y LIMITER, LES GARANTIES TACITES DE QUALITÉ MARCHANDE ET D'ADÉQUATION À UN BUT PARTICULIER, N'ENTRERONT PAS EN VIGUEUR AVANT LA FIN DE LA PÉRIODE DE GARANTIE. Aucun employé, agent, distributeur ou autre personne n'est autorisé à altérer la présente garantie limitée ou à offrir une quelconque autre garantie au nom d'etc. Les dispositions de la présente garantie limitée ne peuvent être modifiées ni par ETC, ni par le propriétaire original, ni par leurs successeurs ou ayants droit respectifs.

Limitation de responsabilité

DANS LA MESURE AUTORISÉE PAR LA LOI, ETC NE SAURAIT EN AUCUN CAS ÊTRE RESPONSABLE DE QUELCONQUE DOMMAGES ACCESSOIRES, SPÉCIAUX, INDIRECTS OU SECONDAIRES, Y COMPRIS UNE QUELCONQUE PERTE MONÉTAIRE, QUE CE SOIT EN CONSÉQUENCE D'UNE IMPOSSIBILITÉ DE FAIRE FONCTIONNER OU D'UTILISER LE PRODUIT WORKSHOP, D'UNE UTILISATION INAPPROPRIÉE, DE L'INCAPACITÉ D'UTILISER LE PRODUIT WORKSHOP OU DE FAUTE DE LA PART D'ETC. ETC NE SERAIT ÊTRE RESPONSABLE DE PRÉJUDICES CAUSÉS PAR UN RETARD D'EXÉCUTION ET, EN AUCUN CAS, QUELLE QUE SOIT LA FORME DE LA REVENDICATION OU LA CAUSE DE L'ACTION (QU'ELLE SOIT DE NATURE CONTRACTUELLE OU QU'ELLE RÉSULTE D'UNE VIOLATION, D'UNE CONTREFAÇON, D'UNE FAUTE, D'UNE NÉGLIGENCE, D'UN CAS DE RESPONSABILITÉ SANS FAUTE OU QU'ELLE AIT UNE AUTRE BASE DÉLICTEUELLE OU QUASI-DÉLICTEUELLE), LA RESPONSABILITÉ D'ETC ENVERS VOUS OU TOUTE PERSONNE UTILISANT LE PRODUIT WORKSHOP NE SAURAIT DÉPASSER LE PRIX PAYÉ PAR LE PROPRIÉTAIRE ORIGINAL POUR LE PRODUIT WORKSHOP. L'expression « dommages indirects » inclura notamment, sans toutefois s'y limiter, la perte de bénéfices attendus, l'interruption des affaires, la perte d'utilisation ou de revenus, le coût du capital ou la destruction ou l'endommagement de biens ou équipements.


Étant donné que certains États ou certaines provinces ne permettent pas l'exclusion ou la limitation de dommages indirects ou secondaires, il est possible que la limitation ci-dessus ne s'applique pas à vous.

La présente garantie limitée vous confère des droits légaux particuliers, et il est possible que vous bénéficiez d'autres droits qui varient d'un État à l'autre ou d'une province à l'autre.

REPAIR PARTS (14 U.S. Gallon)

▲ WARNING


SERVICING OF DOUBLE-INSULATED WET/DRY VAC

In a double-insulated Wet/Dry Vac, two systems of insulation are provided instead of grounding. No grounding means is provided on a double-insulated appliance, nor should a means for grounding be added. Servicing a double-insulated Wet/Dry Vac requires extreme care and knowledge of the system, and should be done only by qualified service personnel. Replacement parts for a double-insulated Wet/Dry Vac must be identical to the parts they replace. Your double-insulated Wet/Dry Vac is marked with the words "DOUBLE INSULATED" and the symbol  (square within a square) may also be marked on the appliance.

To reduce the risk of injury from electrical shock, unplug power cord before servicing the electrical parts of the Wet/Dry Vac.

▲ ADVERTENCIA


SERVICIO DE AJUSTES Y REPARACIONES DE UNA ASPIRADORA PARA MOJADO/SECO CON AISLAMIENTO DOBLE

En una aspiradora para mojado/seco con aislamiento doble se proporcionan dos sistemas de aislamiento en vez de conexión a tierra. No se proporciona ningún medio de conexión a tierra en un aparato electrodoméstico con aislamiento doble, ni se debe añadir a éste ningún medio de conexión a tierra. El servicio de ajustes y reparaciones de una aspiradora para mojado/seco con aislamiento doble requiere extremado cuidado y conocimiento del sistema, y debe ser realizado únicamente por personal de servicio competente. Las piezas de repuesto para la aspiradora para mojado/seco con aislamiento doble deben ser idénticas a las piezas que reemplazan. La aspiradora para mojado/seco con aislamiento doble está marcada con las palabras "DOUBLE INSULATED" (con aislamiento doble) y puede que el símbolo  (un cuadrado dentro de un cuadrado) también esté marcado en los aparatos.

Para reducir el riesgo de lesiones por causa de descargas eléctricas, desenchufe el cordón de energía antes de hacer servicio de ajustes y reparaciones a las piezas eléctricas de la aspiradora para mojado/seco.

▲ AVERTISSEMENT

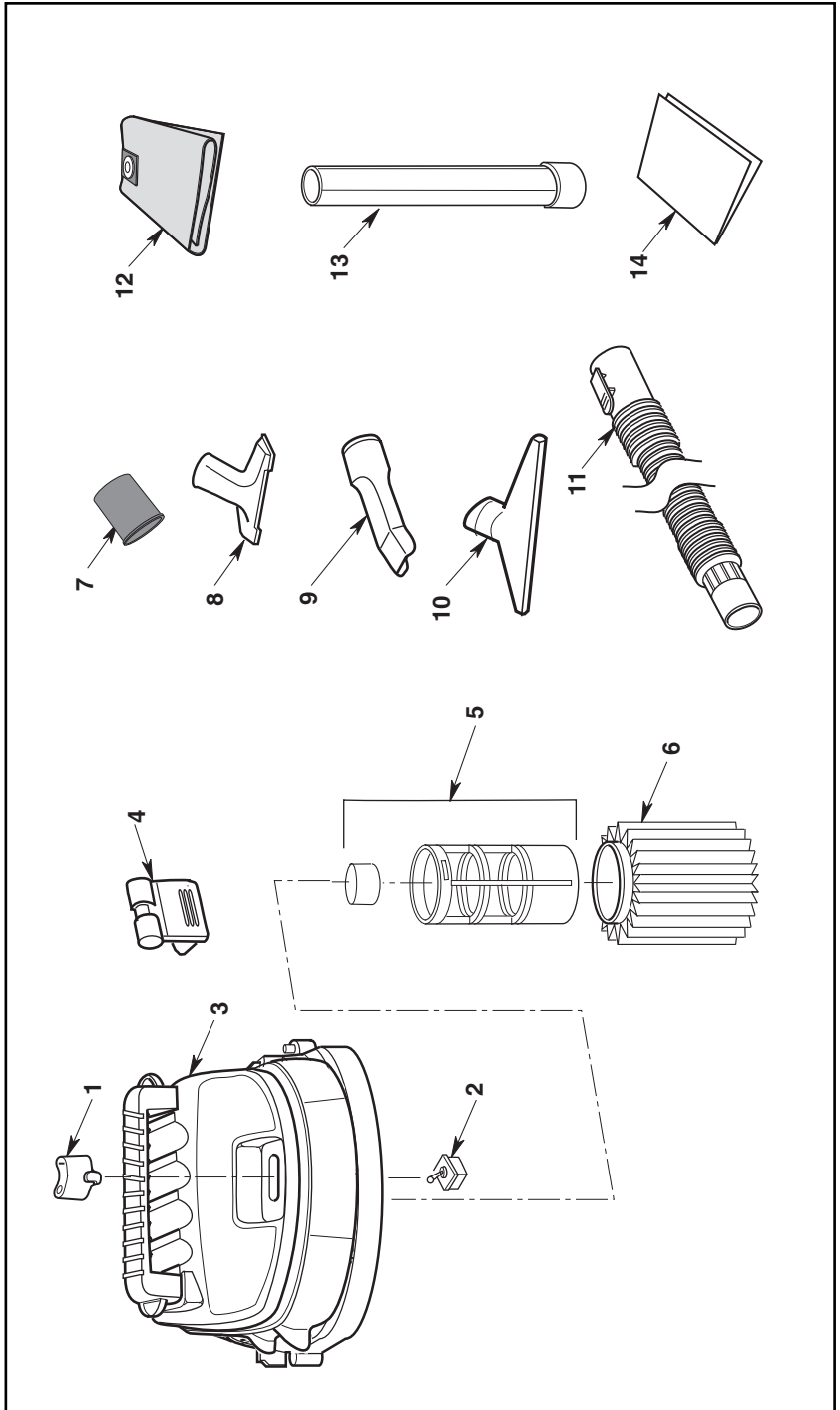
RÉPARATION DE L'ASPIRATEUR DE LIQUIDES ET DE POUSSIÈRES DOUBLEMENT ISOLÉ

Dans un aspirateur de liquides et de poussières doublement isolé, deux systèmes d'isolation sont fournis au lieu de la mise à la terre. Aucun moyen de mise à la terre n'est prévu sur un appareil électro-ménager doublement isolé, et il ne faut pas en ajouter. La réparation d'un aspirateur de liquides et de poussières doublement isolé nécessite une connaissance approfondie du système et la prise de précautions extrêmes. Une telle réparation ne doit être entreprise que par un technicien agréé. Les pièces de rechange pour un aspirateur de liquides et de poussières doublement isolé doivent être les mêmes que les pièces qu'elles remplacent. Les mots « DOUBLE INSULATED » (Doublement isolé) figurent sur l'aspirateur de liquides et de poussières doublement isolé, et le symbole  (un carré à l'intérieur d'un autre carré) peut également figurer sur les appareils.

Pour réduire le risque de blessures causées par les chocs électriques, débranchez le cordon d'alimentation avant de réparer les éléments électriques de l'aspirateur de liquides et de poussières.

REPAIR PARTS (14 U.S. Gallon)

14 U.S. Gallon Professional Wet/Dry Vac
Model Numbers: WS1400CAO
www.WORKSHOPvacs.com



14 U.S. Gallon Professional Wet/Dry Vac
Model Numbers: WS1400CAO
www.WORKSHOPvacs.com

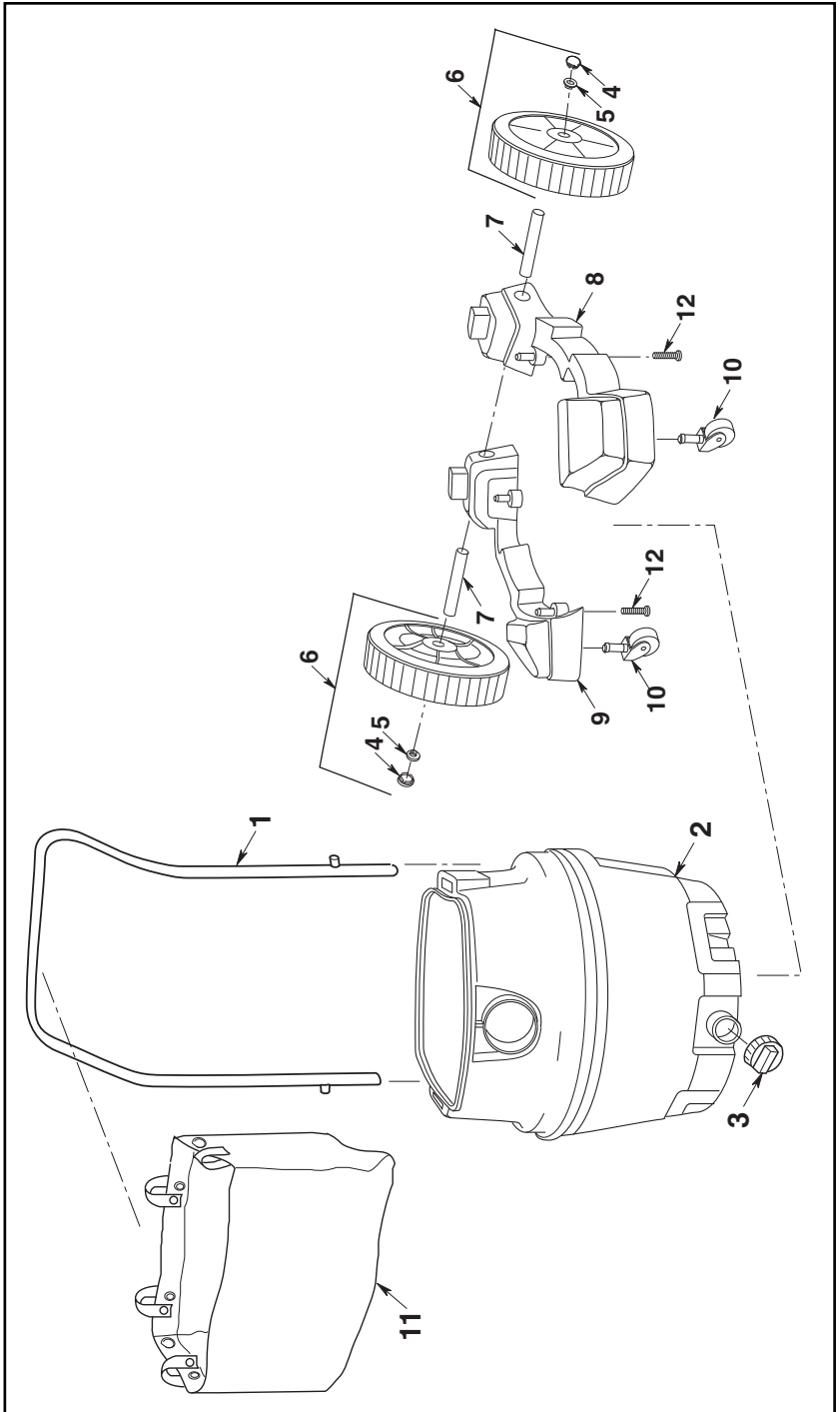
Always order by Part Number - Not by Key Number

REPAIR PARTS (14 U.S. Gallon)

Key No.	Part Number	Description	Descripción	Description
1	830564-2	Actuator, Switch	Accionador del interruptor	Actionneur d'interrupteur
2	813213	Switch, Toggle	Interruptor de palanca	Interrupteur à bascule
3	834287	Power Head Assembly (Includes Key 5)	Ensamblaje del cabezal del motor (incluye las claves 5)	Ensemble d'électrobrosse (comprend les n° de légendes 5)
4	826387	Drum Latch	Pestillo del tambor	Patte de fixation du tambour
5	510205	Filter Cage Assembly	Ensamblaje de la jaula del filtro	Ensemble de la cage du filtre
6	WS22200F	Filter	Filtro	Filtre
7	WS25000A	Locking Sleeve	Manguito de fijación	Manchon de verrouillage
8	WS25009A	Utility Nozzle	Boquilla utilitaria	Suceur à usages multiples
9	WS25003A	Car Nozzle	Boquilla para auto	Suceur pour véhicules
10	WS25010A	Wet Nozzle	Boquilla para mojado	Suceur humide
11	WS25020A	Dual-Flex™ Locking Hose Assembly	Ensamblaje de manguera de fijación Dual-Flex™	Ensemble de tuyau flexible verrouillable Dual-Flex™
12	WS32200F	Dust Collection Bag	Bolsa de recolección de polvo	Sac de collecte de poussière
13	WS25008A	Extension, Handle	Asa de extensión	Rallonge de poignée
14	SP6852	Owner's Manual	Manual del usuario	Mode d'emploi

REPAIR PARTS (14 U.S. Gallon)

14 U.S. Gallon Professional Wet/Dry Vac
Model Numbers: WS1400CAO
www.WORKSHOPVacs.com



14 U.S. Gallon Professional Wet/Dry Vac
Model Numbers: WS1400CA0
www.WORKSHOPvacs.com
Always order by Part Number - Not by Key Number

REPAIR PARTS (14 U.S. Gallon)

Key No.	Part Number	Description	Descripción	Description
1	830686	Handle	Asa	Poignée
2	830570-2	Dust Drum Assembly	Ensamblaje del tambor para polvo	Ensemble de tambour à poussière
3	73185	Drain Cap	Tapa del drenaje	Capuchon de drain
4	830611	Wheel Cap	Tapa de rueda	Chapeau de roue
5	813836-1	Cap Nut 1/2"	Tuerca de tapa de 1/2 pulgada	Écrou borgne de 1/2 po
6	830682	8" Wheel Assembly (Includes Keys 4 and 5)	Ensamblaje de rueda de 8 pulgadas (incluye las claves 4 y 5)	Ensemble de roue de 8 po (comprend les légendes n° 4 et 5)
7	831024	Shaft	Eje	Essieu
8	830576	Caddy, Right	Base de soporte derecha	Chariot, côté droit
9	830577	Caddy, Left	Base de soporte izquierda	Chariot, côté gauche
10	73102	Caster	Ruedecilla	Roulette
11	830597-2	Accessory Bag	Bolsa de accesorios	Sac des accessoires
12	820563-12	Screw Type "AB" #10 x 1-3/4	Tornillo tipo "AB" No. 10 x 1-3/4	Vis de type « AB », n° 10 x 1-3/4
13	509748-1	Bag of Loose Parts (Not Illustrated) (Includes Keys 4, 5, 10, and 12)	Bolsa de piezas sueltas (no ilustrada) (incluye las claves 4, 5, 10 y 12)	Sac de pièces détachées (n'est pas illustré) (comprend les légendes n° 4, 5, 10 et 12)

THIS PAGE INTENTIONALLY LEFT BLANK

THIS PAGE INTENTIONALLY LEFT BLANK



EMERSON™
Commercial & Residential Solutions

© 2013 Emerson

Part No. SP6852

Form No. SP6852-1

Printed in Mexico 08/13